

COOPER LIGHTING - METALUX®

DESCRIPTION

The HBL632RT2 series is ideal for industrial or retail applications. Optical designs provide ideal performance for T8 lamps and produces excellent uniformity. HBL632RT2's high lumen package allows the benefits of fluorescent to be applied at high mounting heights traditionally exclusive to H.I.D. Benefits include exceptional color rendering, high system efficacy, long lamp life, instant on/ instant re-strike, and uniform HBL632RT2 applications including retail, shopping malls, light industrial and recreational environments.

Catalog #		Type
Project		
Comments		Date
Prepared by		

SPECIFICATION FEATURES

Construction

Channel and end plates are constructed of die formed cold rolled steel. The channel provides strength, numerous KO's for easy installation, and excellent thermal dissipation without any special or proprietary components.

Electrical

Equipped with high performance T8 - high ballast factor ballast. Twist-lock lampholders. UL/cUL for all lamp and ballast combinations listed. Suitable for damp locations.

Finish

Electrostatically applied baked white enamel finish.

Optics

Die formed, segmented optical design optimizes lighting performance. Optical distribution is ideal for general, open area lighting.



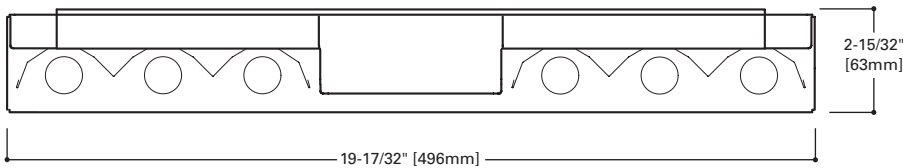
T8

HBL632RT2

T8 LAMPS

High-Bay Industrial
Open Luminaire

T8



SHIPPING INFORMATION

Catalog Number	Product Description	Wattage	UPC
HBL632RT2	48" HIGH BAY, 6 LAMP, T8, WIDE DISTRIBUTION HIGH BAY	32W	080083618668

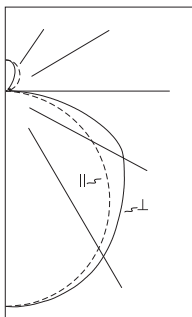
Catalog Number	WGT.	Pallet Qty.
HBL632RT2	15.48	34

LAMPS CONTAIN MERCURY. DISPOSE ACCORDING TO LOCAL, STATE OR FEDERAL LAWS

LINEAR DISCONNECT

Safe and convenient means of disconnecting power.

PHOTOMETRICS



HBL632RT2
Wide Distribution
 (2) Electronic Plus Ballasts
 (6) F32T8/835 32W T8 lamps, 3100 lumens
 Spacing criterion:
 (II) 1.3 x mounting height, (L) 1.3 x mounting height
 Efficiency 90.5%
 Test Report:
 HBL632RT2.IES

Candela

Angle	Along II	45°	Across L
0	4685	4685	4685
5	4663	4674	4692
10	4608	4631	4654
15	4512	4555	4594
20	4380	4446	4503
25	4209	4303	4374
30	4000	4121	4203
35	3762	3909	4000
40	3492	3658	3774
45	3195	3377	3562
50	2870	3081	3354
55	2527	2785	3150
60	2165	2500	2962
65	1781	2230	2707
70	1384	1985	2246
75	975	1569	1685
80	569	1025	1107
85	200	500	566
90	3	111	177

Coefficients of Utilization

rc	Effective floor cavity reflectance																	
	80%			70%			50%			30%			10%			0%		
rw	70	50	30	10	70	50	30	10	50	30	10	50	30	10	50	30	10	0
RCR																		
0	106	106	106	106	103	103	103	103	97	97	97	91	91	91	86	86	86	83
1	96	91	87	83	93	88	84	81	83	80	77	78	76	73	74	72	70	68
2	86	78	72	66	83	76	70	65	72	67	62	68	63	60	64	60	57	55
3	78	68	60	54	75	66	59	53	62	56	51	59	54	50	56	52	48	46
4	71	60	52	45	69	58	51	45	55	49	43	52	47	42	49	45	41	38
5	65	53	45	39	63	52	44	38	49	42	37	47	41	36	44	39	35	33
6	60	48	40	34	58	47	39	33	44	37	32	42	36	31	40	35	31	28
7	56	43	35	29	54	42	34	29	40	33	28	38	32	28	36	31	27	25
8	52	39	31	26	50	38	31	26	37	30	25	35	29	25	33	28	24	22
9	48	36	28	23	47	35	28	23	34	27	23	32	26	22	31	25	22	20
10	45	33	26	21	44	32	26	21	31	25	20	30	24	20	28	23	20	18

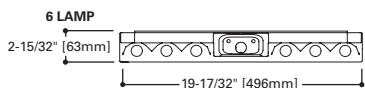
Zonal Lumen Summary

Zone	Lumens	%Lamp	%Fixture
0-30	3714	20.0	22.1
0-40	6154	33.1	36.6
0-60	11290	60.7	67.1
0-90	15508	83.4	92.1
0-180	16834	90.5	100.0

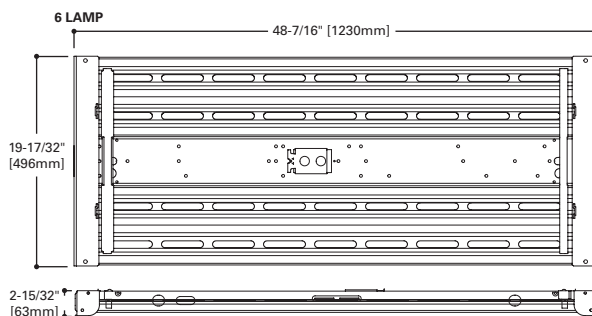
Luminance Data

Angle in Deg	Average 0-Deg cd/sm	Average 45-Deg cd/sm	Average 90-Deg cd/sm
45	7432	7855	8286
55	7247	7987	9033
65	6932	8679	10536
75	6196	9971	10708
85	3774	9436	10682

LAMP CONFIGURATIONS



DIMENSION TOP VIEW



For complete product data, reference the Fluorescent Specification binder. Specifications & dimensions subject to change without notice. Consult your Cooper Lighting Representative for availability and ordering information.