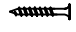


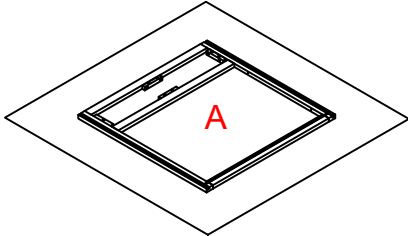


Base Cabinet Assembly Instruction (Item:CVD24-CVD39)

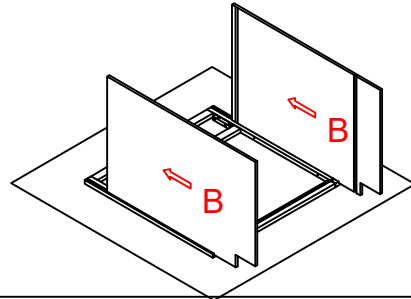
Hard Ware List	1	3PCS	Ø4*25mm	5	56PCS	Ø4*12mm	6	14PCS
	Flat head screw			Flat head screw			Corner brackets	
								

Cabinet Parts List	A	Frame	B	Side panels(2)	C	Bottom panel	D	Back panel	E	Toe kick	G	Door(2)
	H	Drawer front										
	O	panel beam(2)										

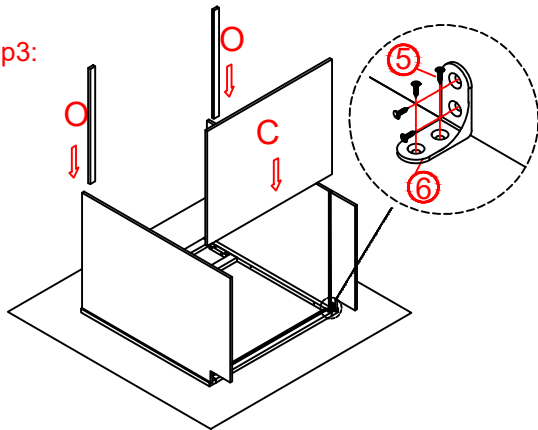
Step1:



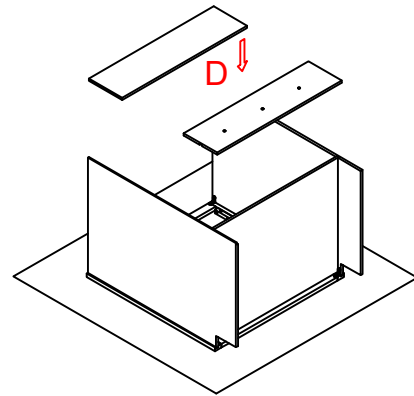
Step2:



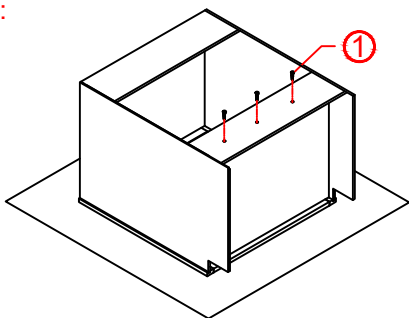
Step3:



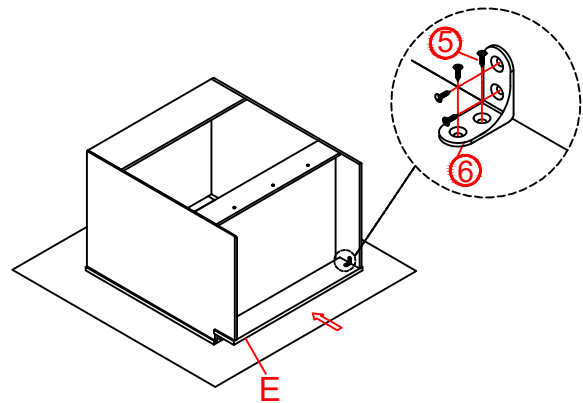
Step4:



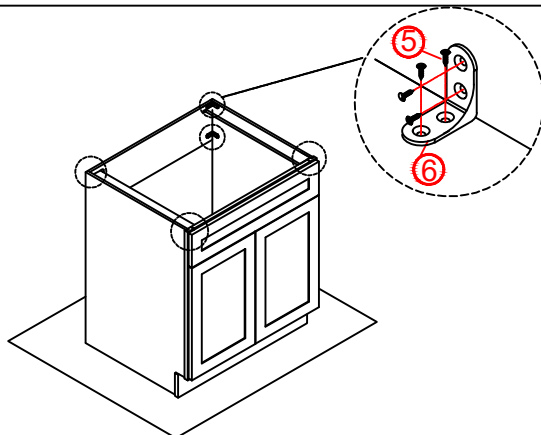
Step5:



Step6:



Step7:



Step8:

