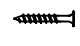





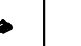

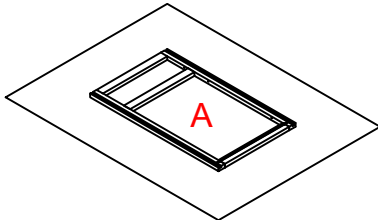


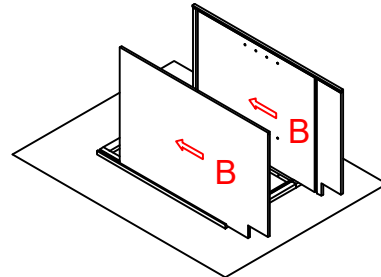
Base Cabinet Assembly Instruction (Item:CVD12-1/CVD15-1)

Hard Ware List	1	8PCS	Ø4×25mm	Flat head screw	5	40PCS	Ø4×12mm	Flat head screw	6	10PCS	Corner brackets	7	4PCS	Ø8mm	Shelf clips	8	1SET	Slide	9	2PCS	prop	10	1SET	slide lock	11	6PCS	Bumper
																											
Cabinet Parts List	A	Frame	B	Side panels(2)	C	Bottom panel	D	Back panel	E	Toe kick	F	Adjustable shelf															
	G	Door	H	Drawer front	I	Drawer front panel	J	Drawer back panel	K	Drawer side panel(2)	L	Drawer bottom panel															
	O	panel beam(2)																									

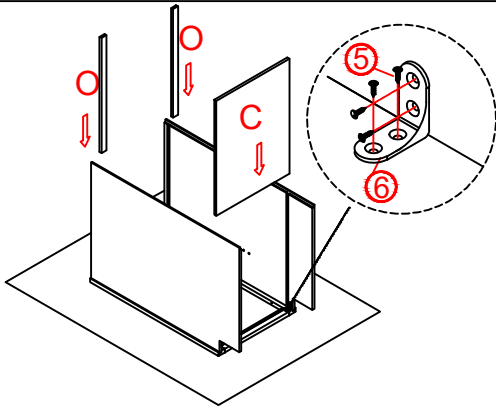
Step1:



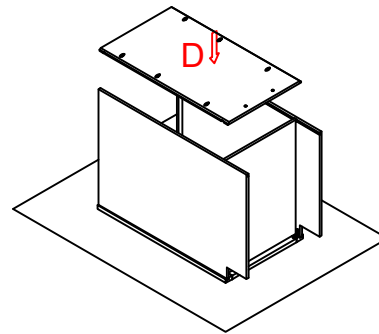
Step2:



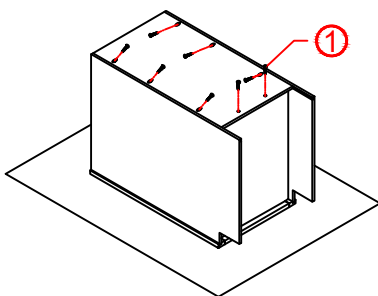
Step3:



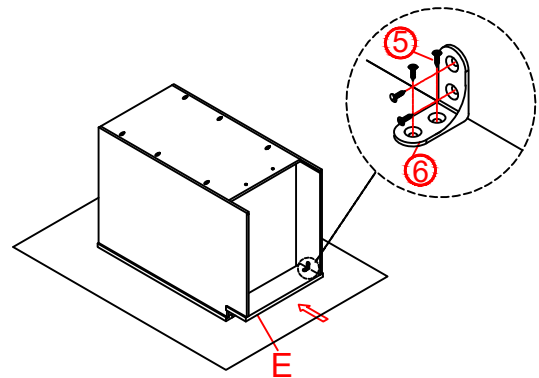
Step4:



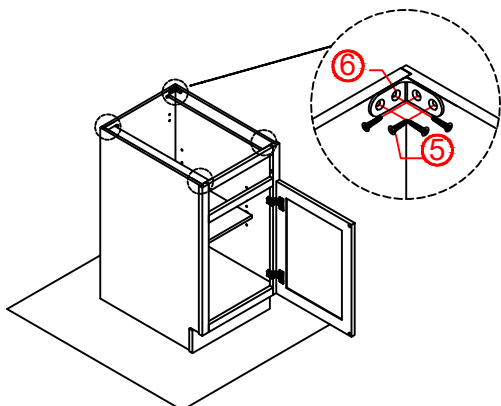
Step5:



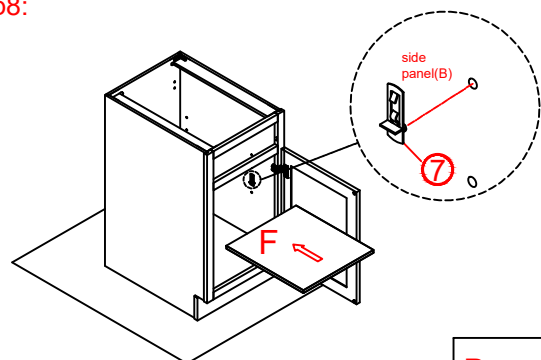
Step6:



Step7:



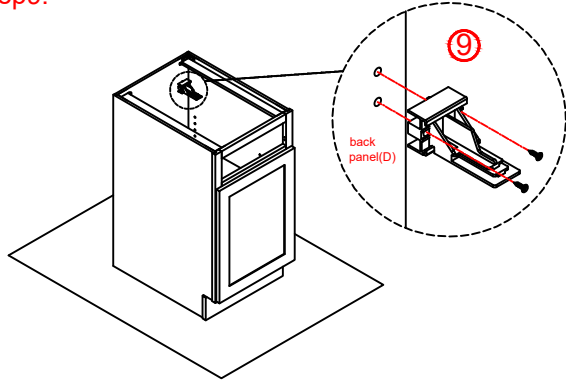
Step8:



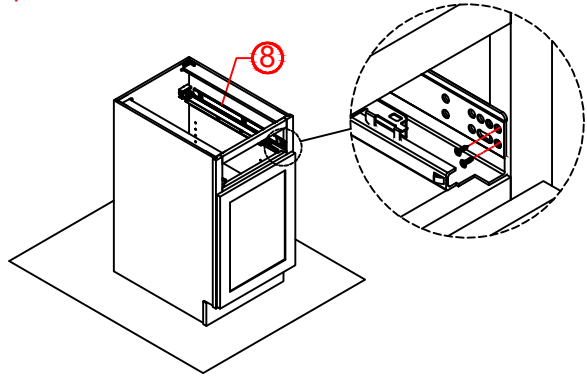
Base Cabinet Assembly Instruction (Item: CVD12-1/CVD15-1)

Hard Ware List	1	8PCS	Ø4×25mm	5	40PCS	Ø4×12mm	6	10PCS	Corner brackets	7	4PCS	Ø8mm	Shelf clips	8	1SET	Slide	9	2PCS	prop	10	1SET	slide lock	11	6PCS	Bumper
	Flat head screw		Flat head screw		Corner brackets		Shelf clips		Slide		prop		slide lock		Bumper										
Cabinet Parts List	A	Frame		B	Side panels(2)		C	Bottom panel		D	Back panel		E	Toe kick		F	Adjustable shelf								
	G	Door		H	Drawer front		I	Drawer front panel		J	Drawer back panel		K	Drawer side panel(2)		L	Drawer bottom panel								
	O	panel beam(2)																							

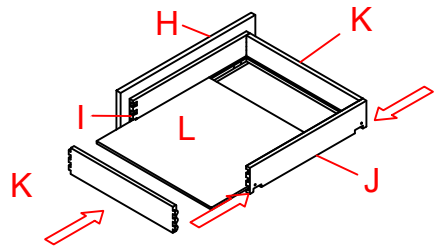
Step9:



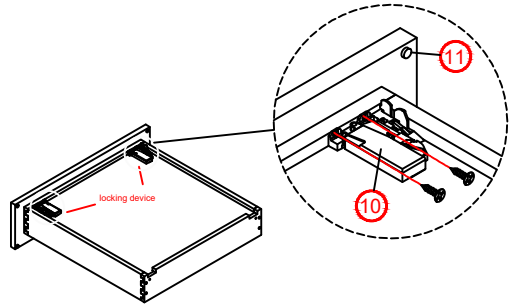
Step10:



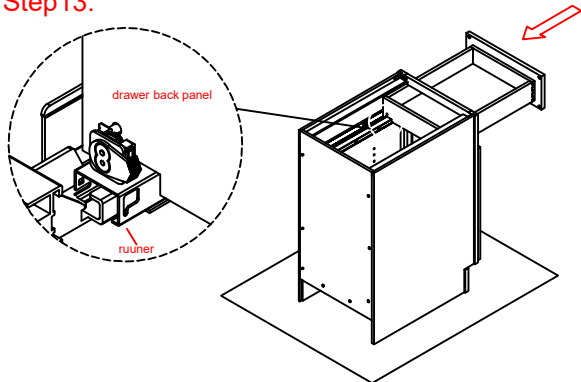
Step11:



Step12:



Step13:



Step14:

