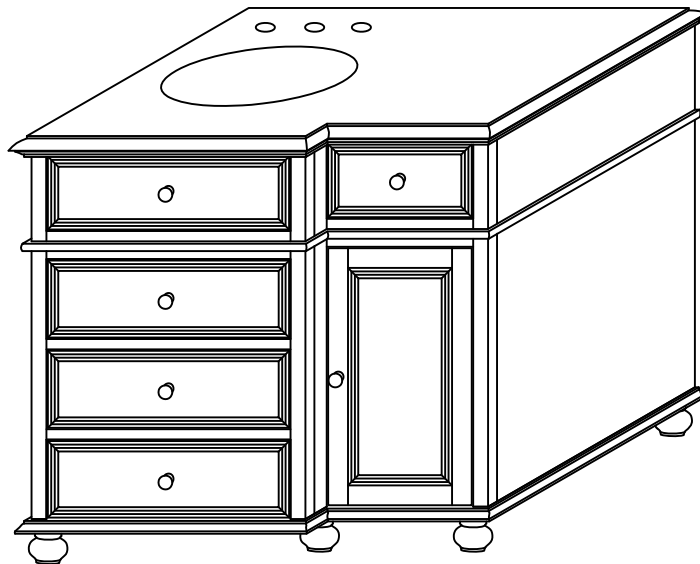


HOME DECORATORS COLLECTION

BF-25097 HAMPTON BAY 36"W 4-DRAWER SINK 35"Hx36"Wx22"D

INV#17934

ASSEMBLY INSTRUCTIONS



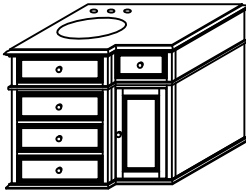
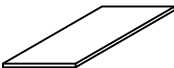
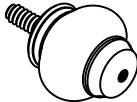
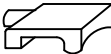
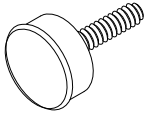
PRODUCT SPECIFICATION:

- SOLID HARD WOOD FRAME
- NATURAL GRANITE TOP PRE-ASSEMBLED
- (36W x 22D x 35H) INCH
- N.W.: 162.7LBS G.W.:185.8LBS

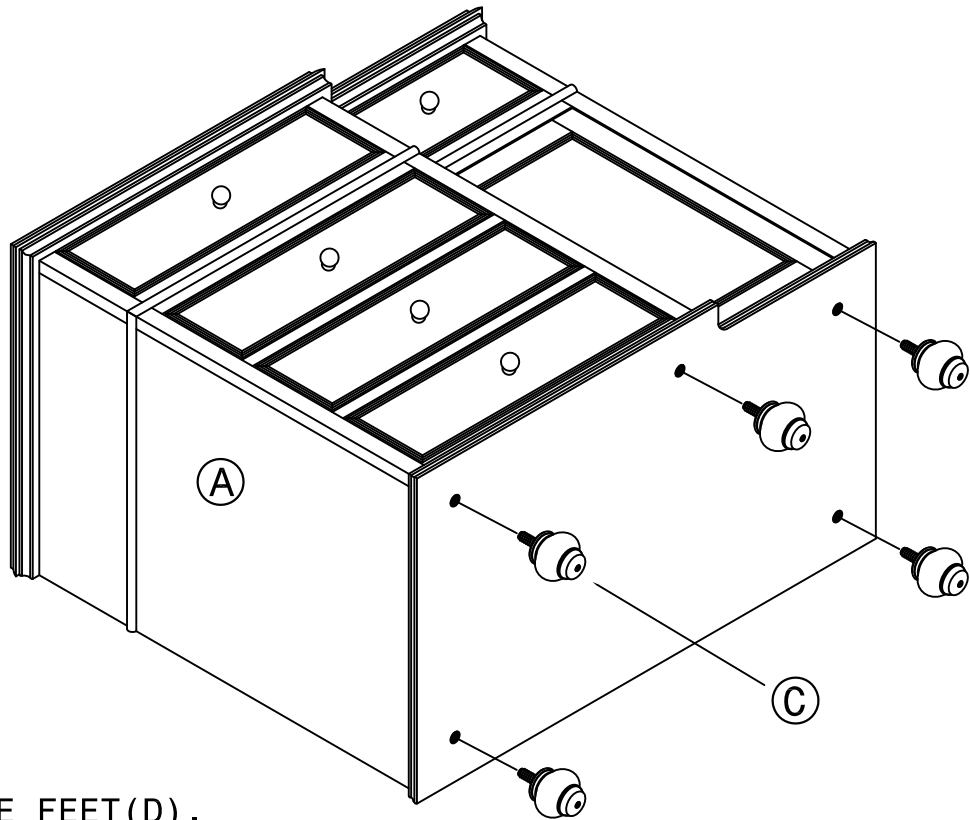
Thank you for purchasing this quality product. Be sure to check all packing material carefully for small parts, which may have come loose inside the carton during shipment. Count all parts and material hardware, then compare with parts list to be sure all parts are present. If any parts are missing or damaged, phone, fax, or mail to our Customer Service Department for efficient and speedy service. Please indicate the model number and code letter of part(s) needed.

IMPORTANT NOTE: Follow instructions listed below in proper sequence as numbered to assure fast, easy and correct assembly.

NOTE: ● UPON OPENING THOROUGHLY CLEAN ALL WOOD SURFACES WITH FURNITURE POLISH TO REMOVE DUST AND DIRT THAT MAY HAVE SETTLED ONTO FINISH DURING SHIPMENT. IN ORDER TO PREVENT DAMAGE DURING ASSEMBLY, PLEASE ASSEMBLE THIS ITEM WITH AT LEAST THREE PEOPLE.

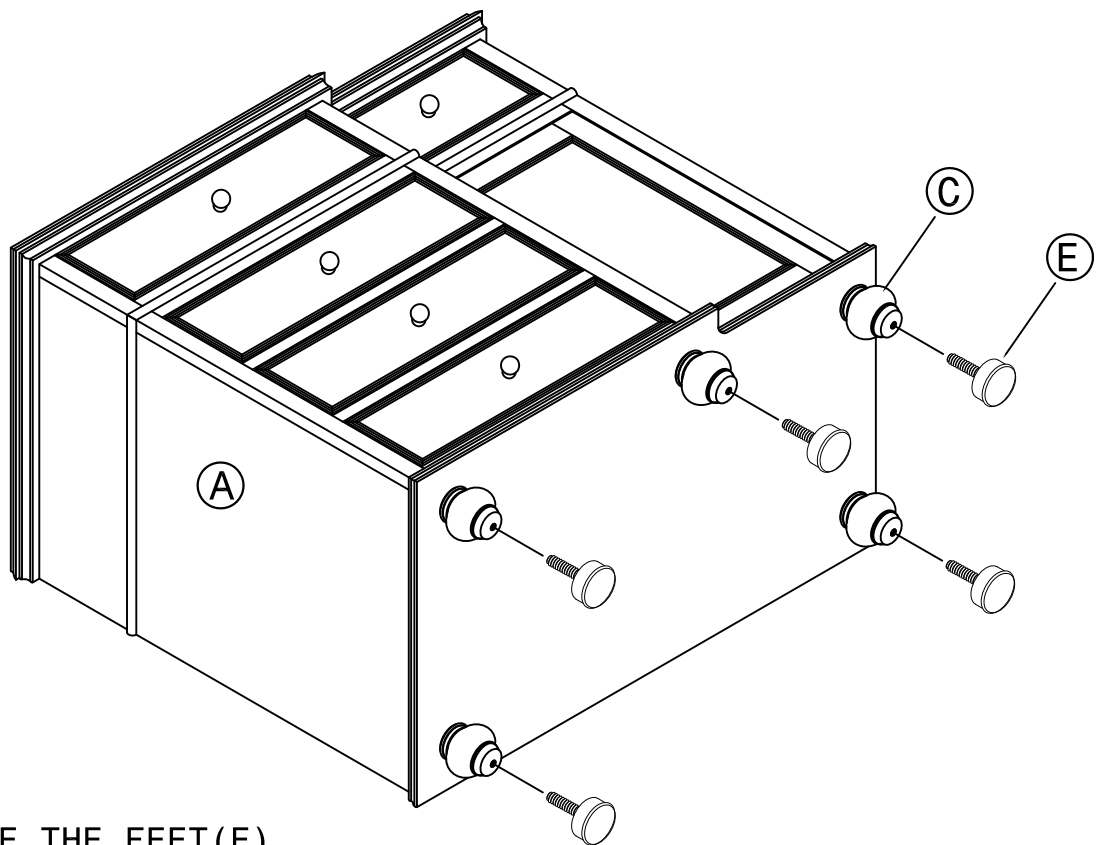
PARTS LIST		
A	B	C
 <p>MAIN PART-1PC</p>	 <p>SHELF-1PC</p>	 <p>FEET-5PCS</p>
D	E	
 <p>SHELF SUPPORTS-4PCS</p>	 <p>FEET-5PCS</p>	

NOTE: THE SURFACE WITH THE STICKER IS THE BACK SIDE.



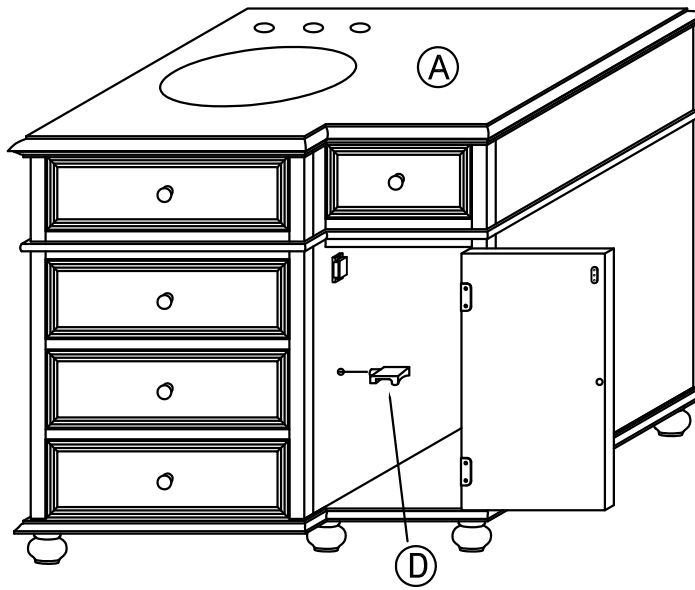
1) . ASSEMBLE FEET(D) .

- FIRSTLY, PLACE MAIN PART(A) UPSIDE DOWN ON A CLEAN SMOOTH SURFACE. ROTATE THE 5 FEET(C) INTO THE HOLES IN THE MAIN PART(A) .



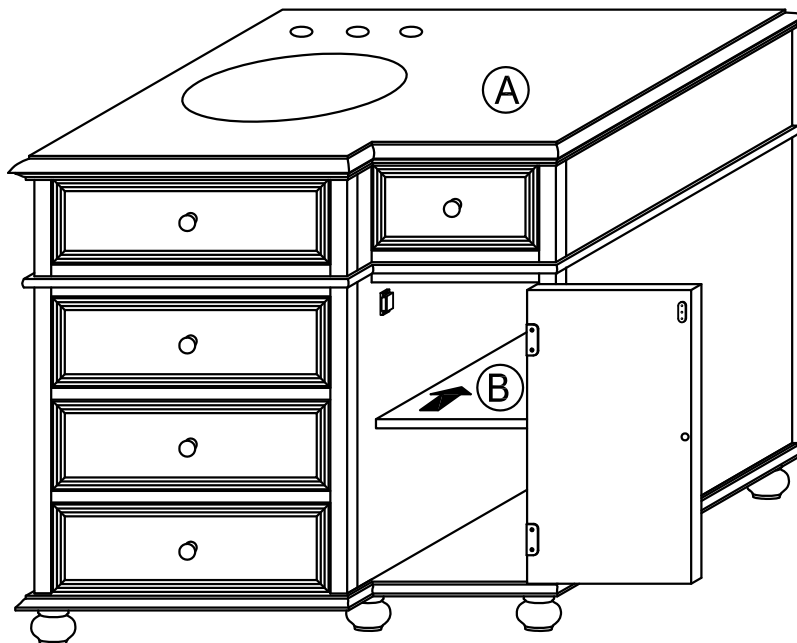
2) . ASSEMBLE THE FEET(E) .

- ROTATE THE FEET(E) INTO THE HOLES IN THE FEET(C) .



3) . ASSEMBLE THE SHELF SUPPORTS(D) .

- INSERT THE 4 SHELF SUPPORTS(D) INTO THE HOLES IN THE MAIN PART(A) .



4) . ASSEMBLE THE SHELF(B) .

- PUT THE SHELF(B) ONTO THE SHELF SUPPORTS(D) .