

Features

- Set includes cabinet, precut quartz vanity top, sink, legs, and cabinet hardware
- 8" (203 mm) widespread faucet holes
- Three-way adjustable slow-close door hinges for easy cabinet access
- Full-extension 12-3/4" (325 mm) drawers with soft-close side-mount slides
- 17-5/16" (439 mm) cabinet interior provides ample storage space
- Finish-matched cabinet interior offers generous clearance for plumbing
- Customize your storage with optional accessories such as floor liners, drawer organizers, and perfectly sized containers (sold separately)
- Faucet sold separately

Material

- Quartz vanity top adds beauty and long-lasting durability
- Solid wood and moisture-resistant MDF
- Painted exterior
- Quartz vanity top
- Vitreous china sink
- Premium metal hardware for durability and reliability
- KOHLER finishes resist corrosion and tarnishing

Installation

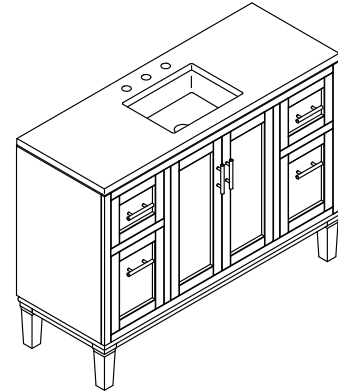
- Easy installation – no special tools required
- Separate vanity top makes for simplified installation

Recommended Products/Accessories

- K-25819 4" x 17.25" quartz side splash
- K-25816 4" x 36" quartz backsplash
- K-33533-ASB 24" x 28" wall cabinet
- K-33534 Cabinet knob
- K-33585 Drawer organizer set
- K-33586 Drawer organizer with lid
- K-33587 Divided drawer organizer
- K-33588 Makeup display tray and organizer
- K-27933 Drawer appliance organizer
- K-27935 Protective floor liner for 36" cabinet

Optional Products/Accessories

- K-25819 4" x 17.25" quartz side splash
- K-33533-ASB 24" x 28" wall cabinet
- K-33534 Cabinet knob



Codes/Standards

EPA TSCA Title VI/CARB P2

KOHLER® One-Year Limited Warranty

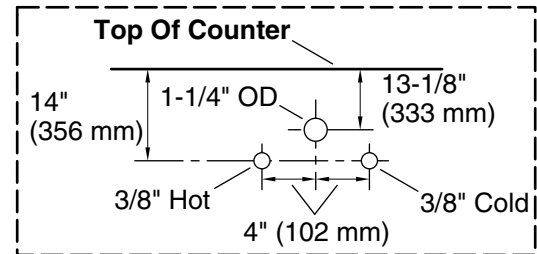
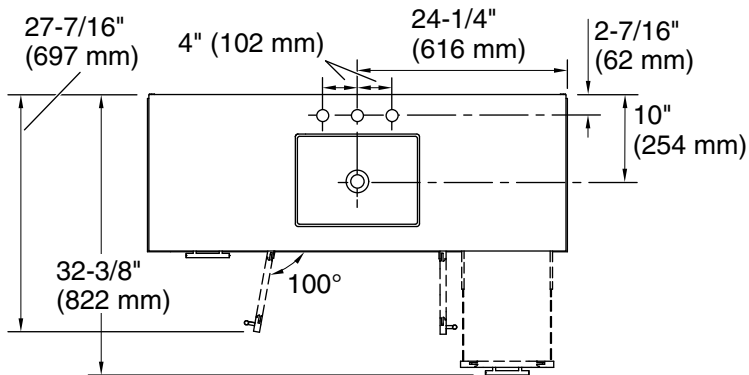
See website for detailed warranty information.

Available Colors/Finishes

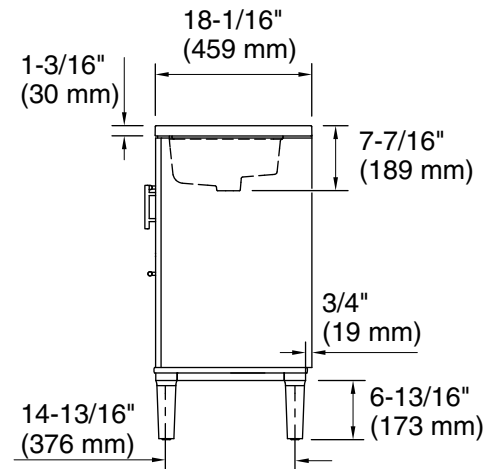
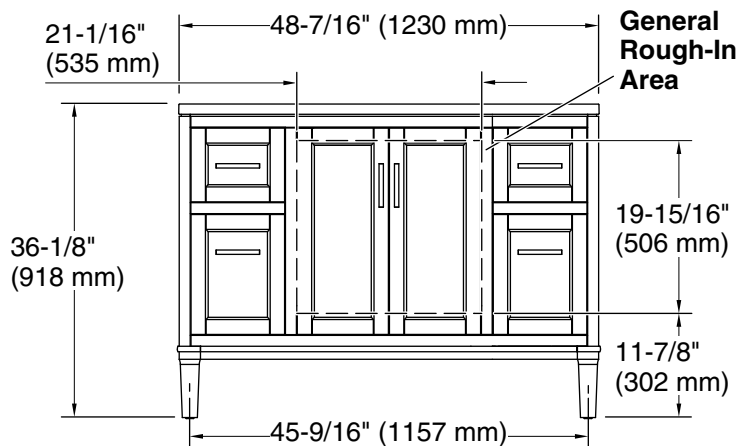
Color tiles intended for reference only.

Color	Code	Description
-------	------	-------------

	0	White
	AGA	



Waste Pipe Location Information



Technical Information

All product dimensions are nominal.

Notes

Install this product according to the installation instructions.