



# Iron Plains® Trough Rectangle

Drop-In/Under-Mount Bathroom Sink

**K-20212**

## Features

- Rectangle basin.
- With overflow.
- No faucet holes; requires wall- or counter-mount faucet.
- 28-13/16" (732 mm) x 14-7/16" (367 mm) x 4-3/4" (121 mm) interior dimensions.

## Material

- KOHLER® enameled cast iron.

## Installation

- Drop-in or under-mount.

## Components

Additional included component/s: Under-mount clamps pack #1193643.



ADA

CSA B651

## Codes/Standards







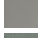
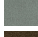
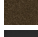
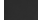
ASME A112.19.1/CSA B45.2  
ADA  
ICC/ANSI A117.1  
CSA B651

## Lifetime Limited Warranty for KOHLER® Cast Iron Components

See website for detailed warranty information.

## Available Color/Finishes

*Color tiles intended for reference only.*

Color	Code	Description
	0	White
	FF	Sea Salt™
	96	Biscuit
	FD	Cane Sugar™
	NY	Dune
	G9	Sandbar
	K4	Cashmere
	FT	Basalt
	KA	Black 'n Tan
	7	Black Black™

1-800-4KOHLER (1-800-456-4537)

Kohler Co. reserves the right to make revisions without notice to product specifications.

For the most current Specification Sheet, go to [www.kohler.com](http://www.kohler.com).

9-28-2018 10:21

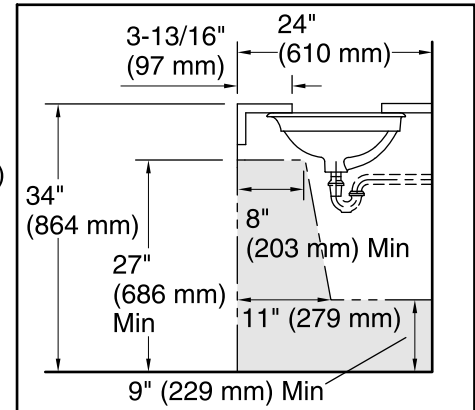
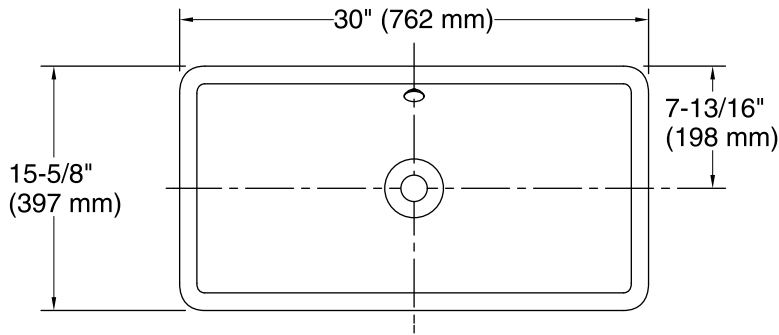
THE BOLD LOOK  
OF **KOHLER**®



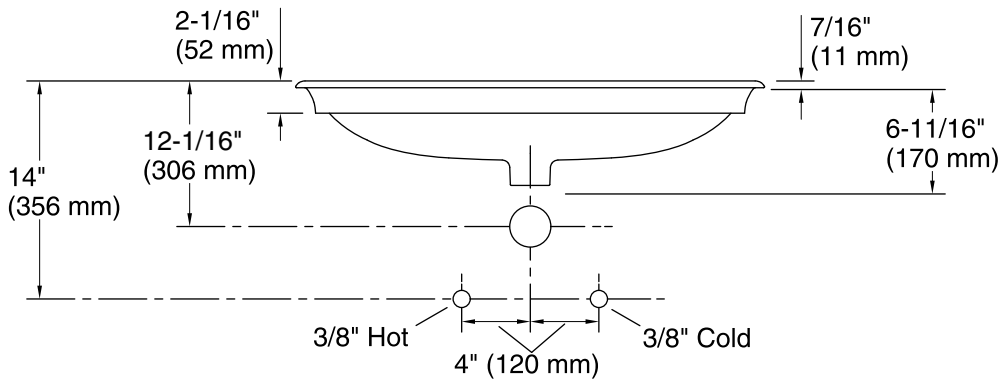
# Iron Plains® Trough Rectangle

Drop-In/Under-Mount Bathroom Sink

K-20212



**Recommended ADA Installation**



## Technical Information

All product dimensions are nominal.

Installation:	Drop-In, Under-mount
Bowl area (Only):	Length: 28-13/16" (732 mm) Width: 14-7/16" (367 mm) Bowl depth: 4-3/4" (121 mm) Water depth: 3-5/16" (84 mm)
Drain hole:	1-3/4" (44 mm)
Template:	1319048-7, required, included

## Notes

Install this product according to the installation instructions.

Countertop manufacturer or cutter must use the cut-out template provided with the product, or a current one provided by Kohler Co. (call 1-800-43-FOCUS). Kohler Co. is not responsible for cut-out errors when the incorrect cut-out template is used.

ADA, CSA B651 compliant when installed to the specific requirements of these regulations.