

INSTALLATION

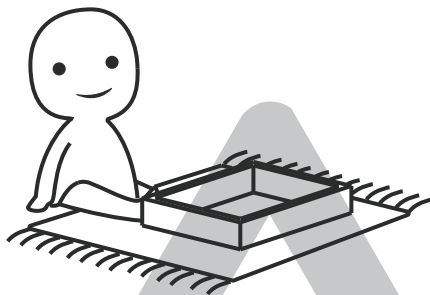
Product Manual

Version: 210150-00-24A-AA



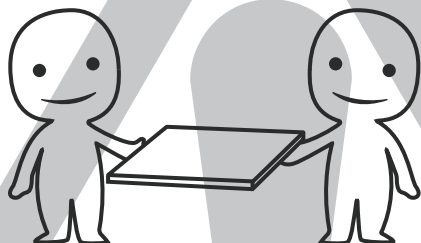
IMPORTANT INFORMATION!

please read the entire manual before starting to assemble and/or using this product. follow the manual thoroughly and keep it for further reference.



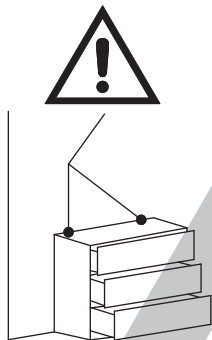
AVOID SCRATCHES!

In order to avoid scratching this furniture should be assembled on a soft layer- could be a rug.



IMPROVE EFFICIENCY !

Try to find a partner to install with you, which can speed up the installation efficiency and shorten the time.



ANTI-TOPPLE WARNING !

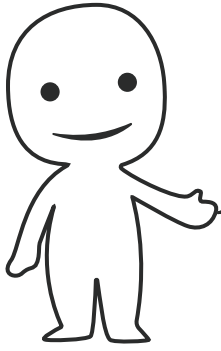
Overturned furniture can cause serious or fatal crush injuries. To prevent tipping over, be sure to use the wall attachment, if not included with this product. Please purchase the wall attachment that fit your wall. If unsure, seek professional advice. Please read and follow each step of the instructions carefully.

IMPORTANT !

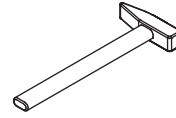
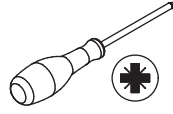
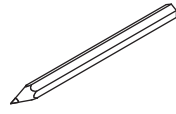
It is important that any product which is assembled using any kind of screw is re-tightened 2 weeks after assembly, and once every 3 months - in order to assure stability through-out the lifespan of the product.

For regular maintenance and cleaning of the product, for the frame, please use a rag dipped in neutral detergent to fully wipe it, and then dry it with a clean rag. For glass materials, wipe with a rag dampened with water glass cleaner, and then dry with a dry rag.

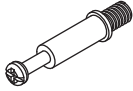

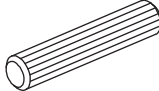

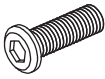
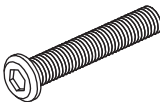
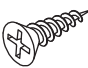
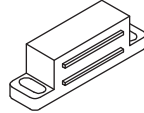
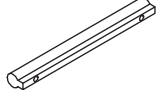
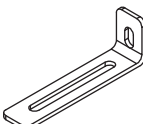
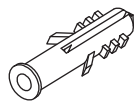
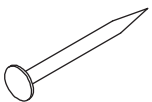
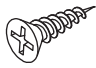
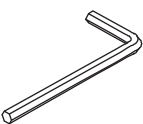
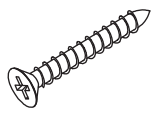
Do not use an electric screwdriver, and do not use too much force when installing, because the board is easy to break.

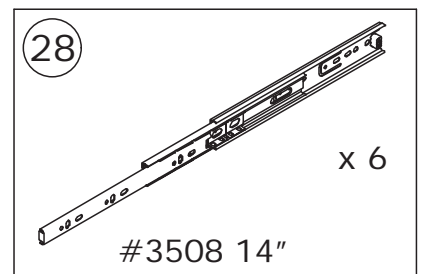
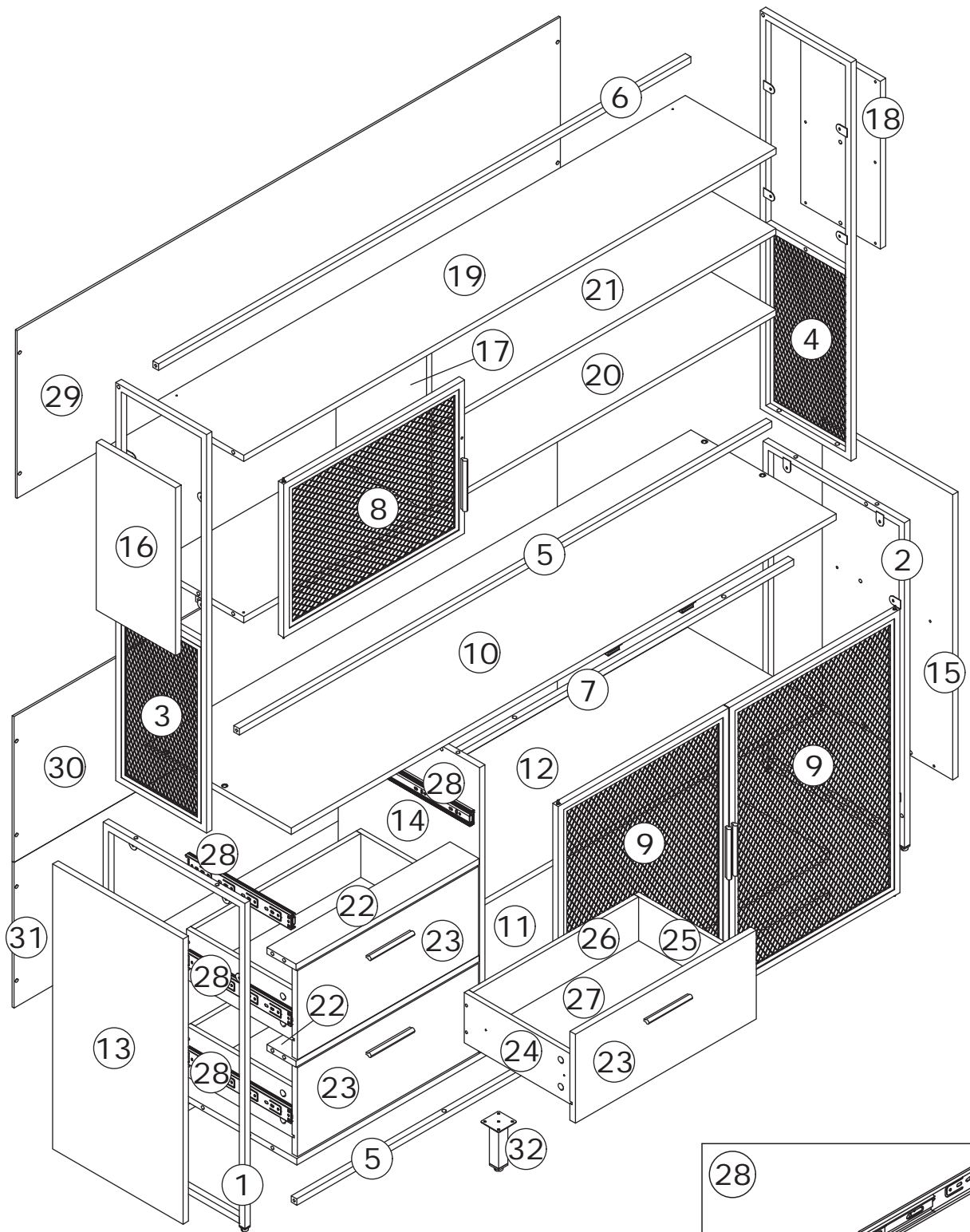


Please prepare the following tools



When installing, please carefully confirm whether each screw corresponds to the manual, accessories with similar shapes can be distinguished by size

A x 40  CRA0635A	B x 40  CRB1595A	C x 22  CRF0630A	D x 16  CRC0540A	E x 16  CRG0612A
F x 12  CRG0625A	G x 10  CRG0635A	H x 50  CRD3512A	I x 3  CRD3512A	J x 6  CRD3512A
K x 12  CRE0418A	L x 6  CRD3512A	M x 2  CRD3512A	N x 2  CRD3512A	O x 40  CRD3512A
P x 8  CRD3512A	Q x 6  CRD3514A	R x 1  CRD3512A	S x 2  CRD3535A	

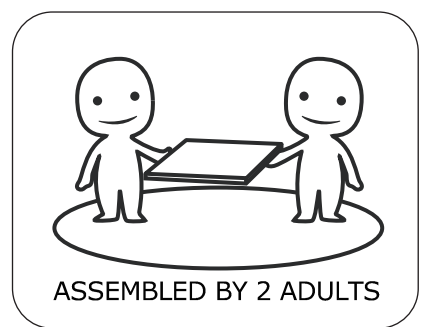


⚠ WARNING

Children have died from furniture tipover. To reduce the risk of furniture tipover:

- ALWAYS install Anti-tip device provided.
- NEVER put a TV on this product.
- NEVER allow children to stand, climb or hang on drawers, doors, or shelves.
- NEVER open more than one drawer at a time.
- Place heaviest items in the lowest drawers.

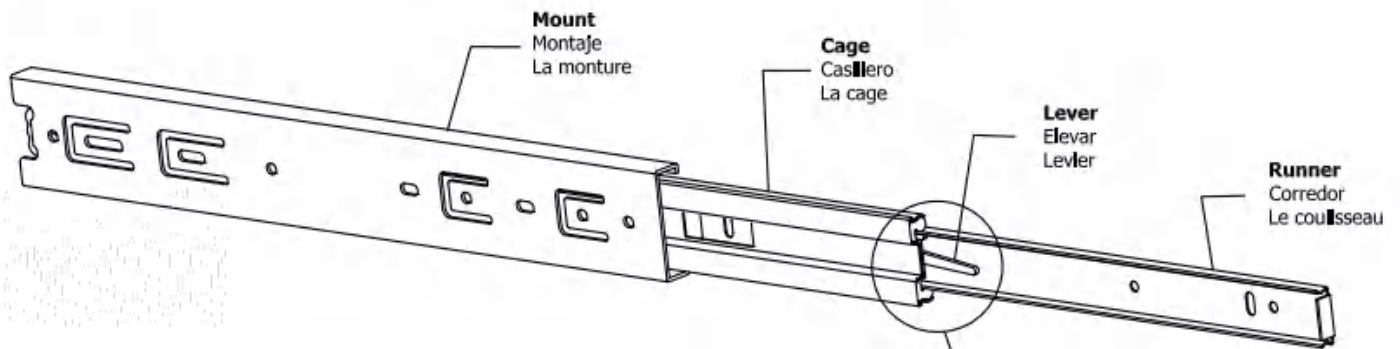
This is a permanent label. Do not remove!



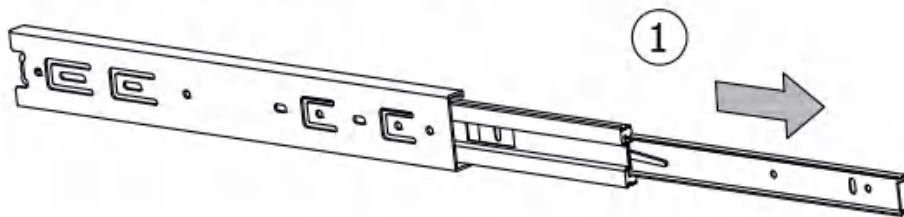
**Slides Must Be Separated Before Assembly.
After Separated, Set Aside Until Needed for Assembly.**

Las diapositivas deben separarse antes del montaje.
Después de la separación, déjelo a un lado hasta que sea necesario.

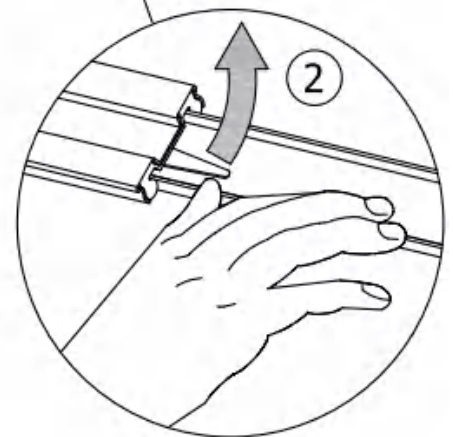
Les glissières doivent être séparées avant l'assemblage.
Après la séparation, mettez de côté jusqu'au moment de l'assemblage.



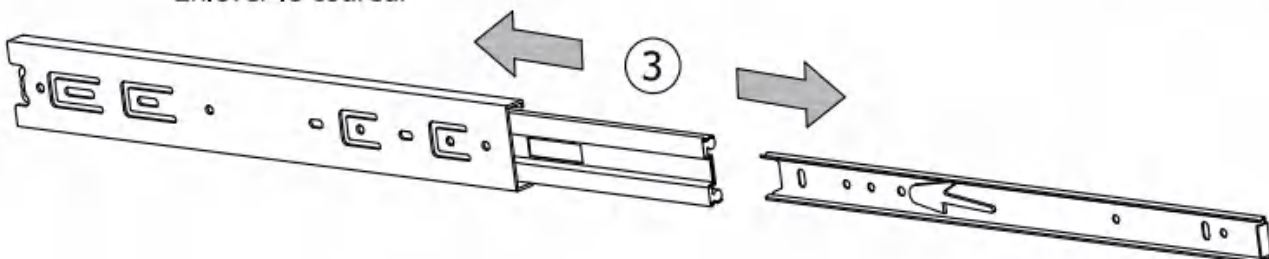
STEP 1: Extend Slide
Extender la diapositiva
Extendre la diapositive



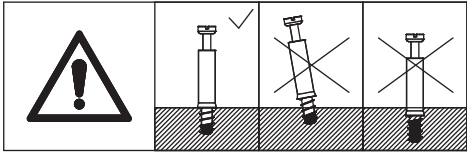
STEP 2: Push Lever UP
Empujar hacia arriba
Lever le levier



STEP 3: Remove Runner
Quitar el corredor
Enlever le coureur



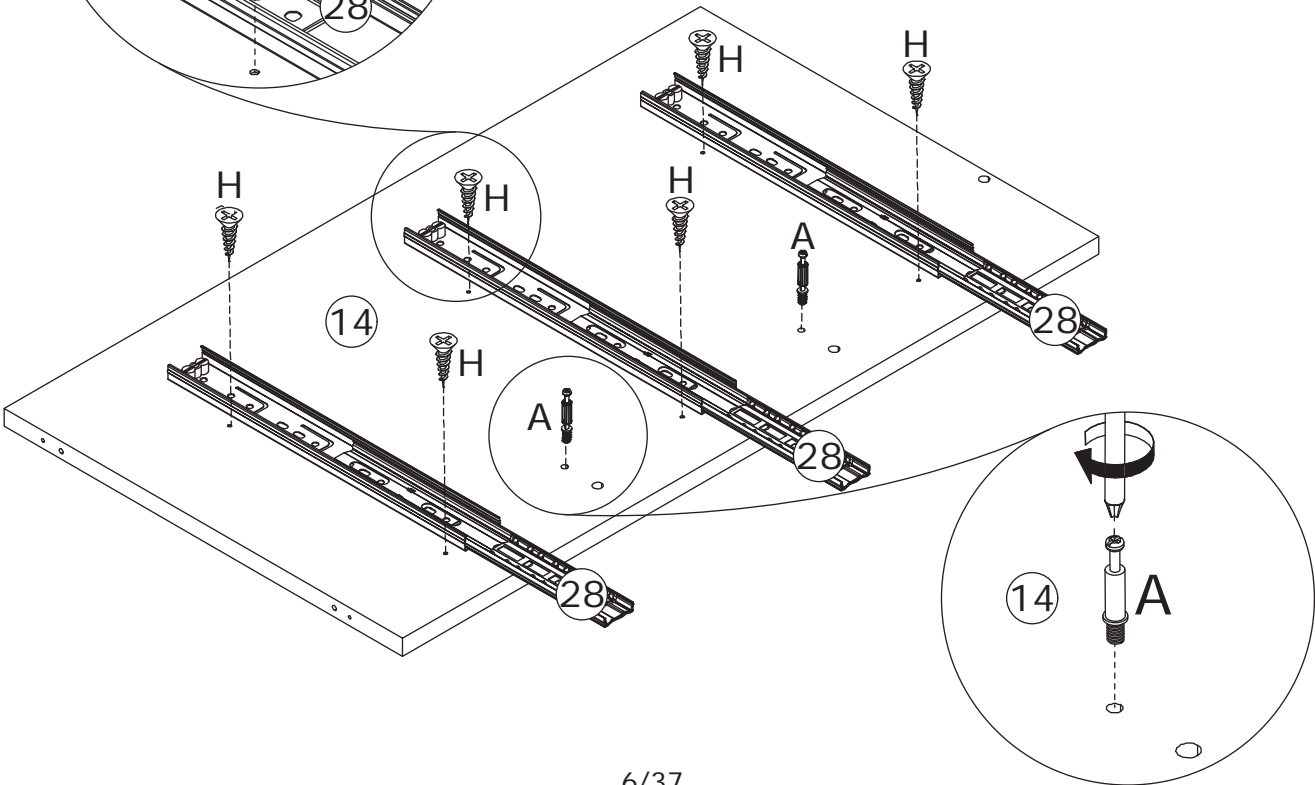
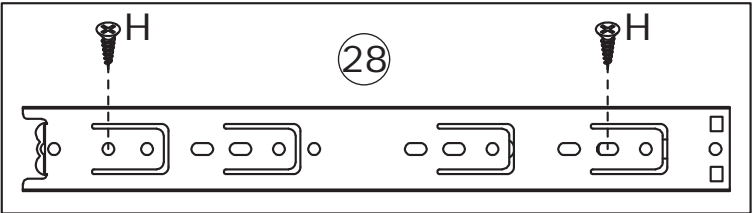
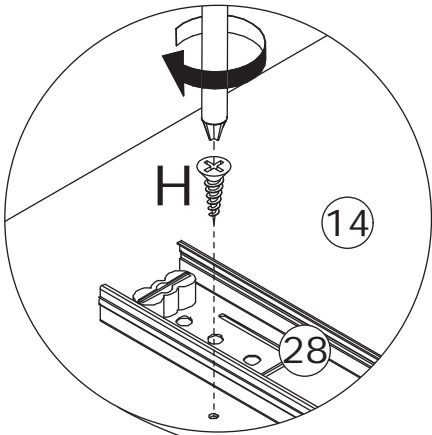
1



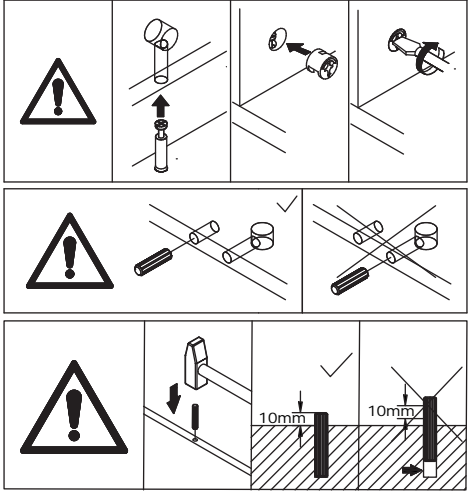
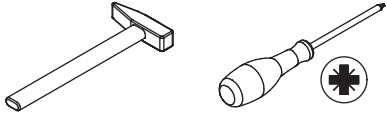
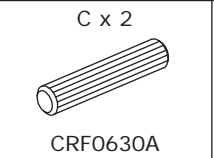
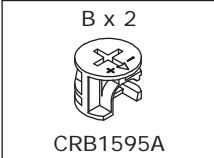
Separate slide rail into 2 parts.

Fix slide rail 28 to board 14 with screw(H) as shown.

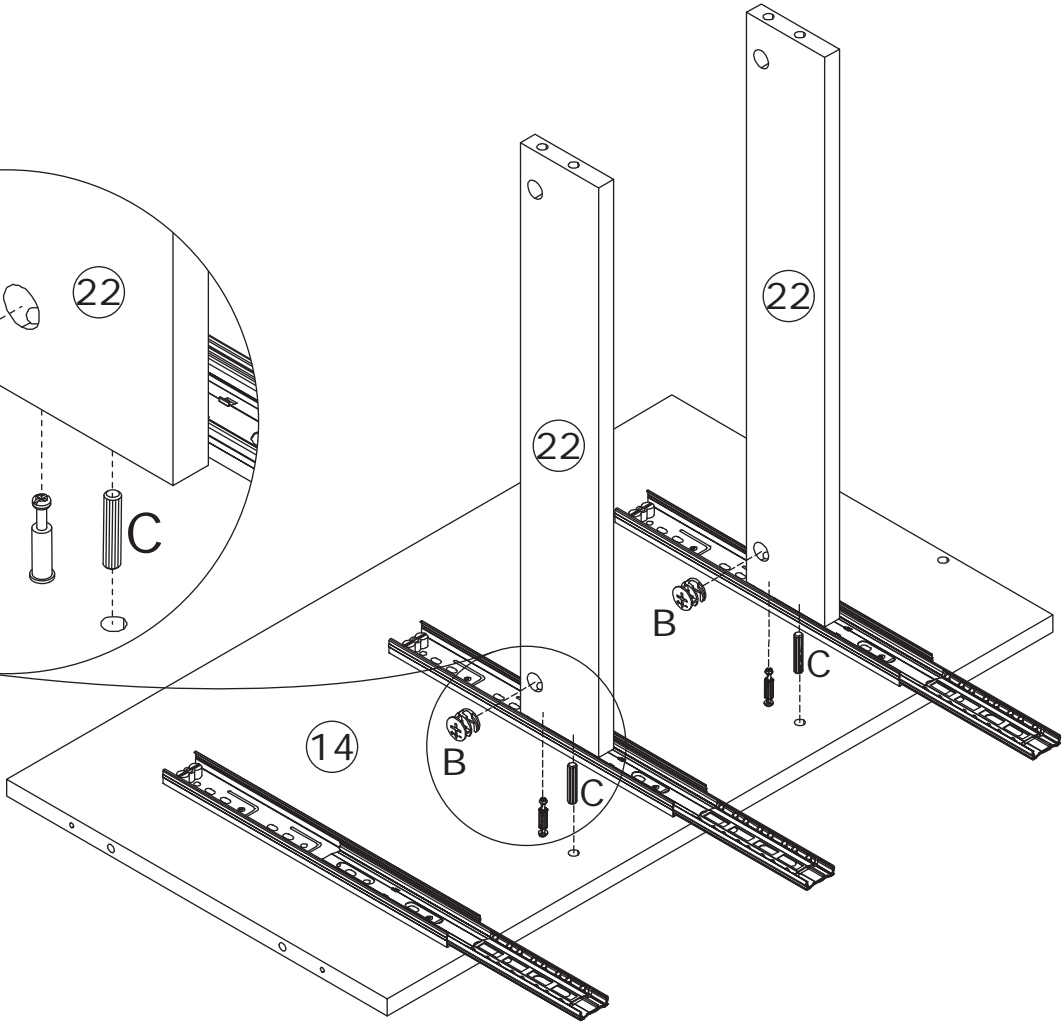
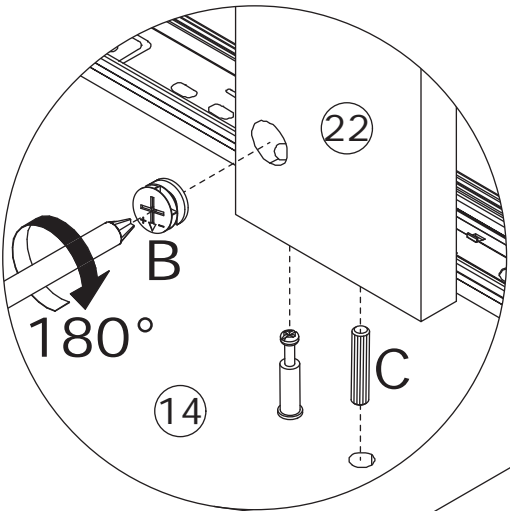
Screw eccentric rod(A) into board 14 as shown.



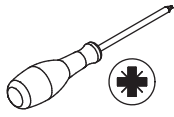
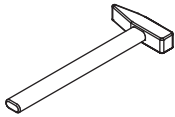
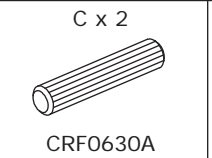
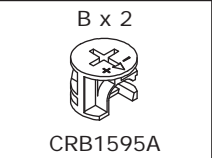
2



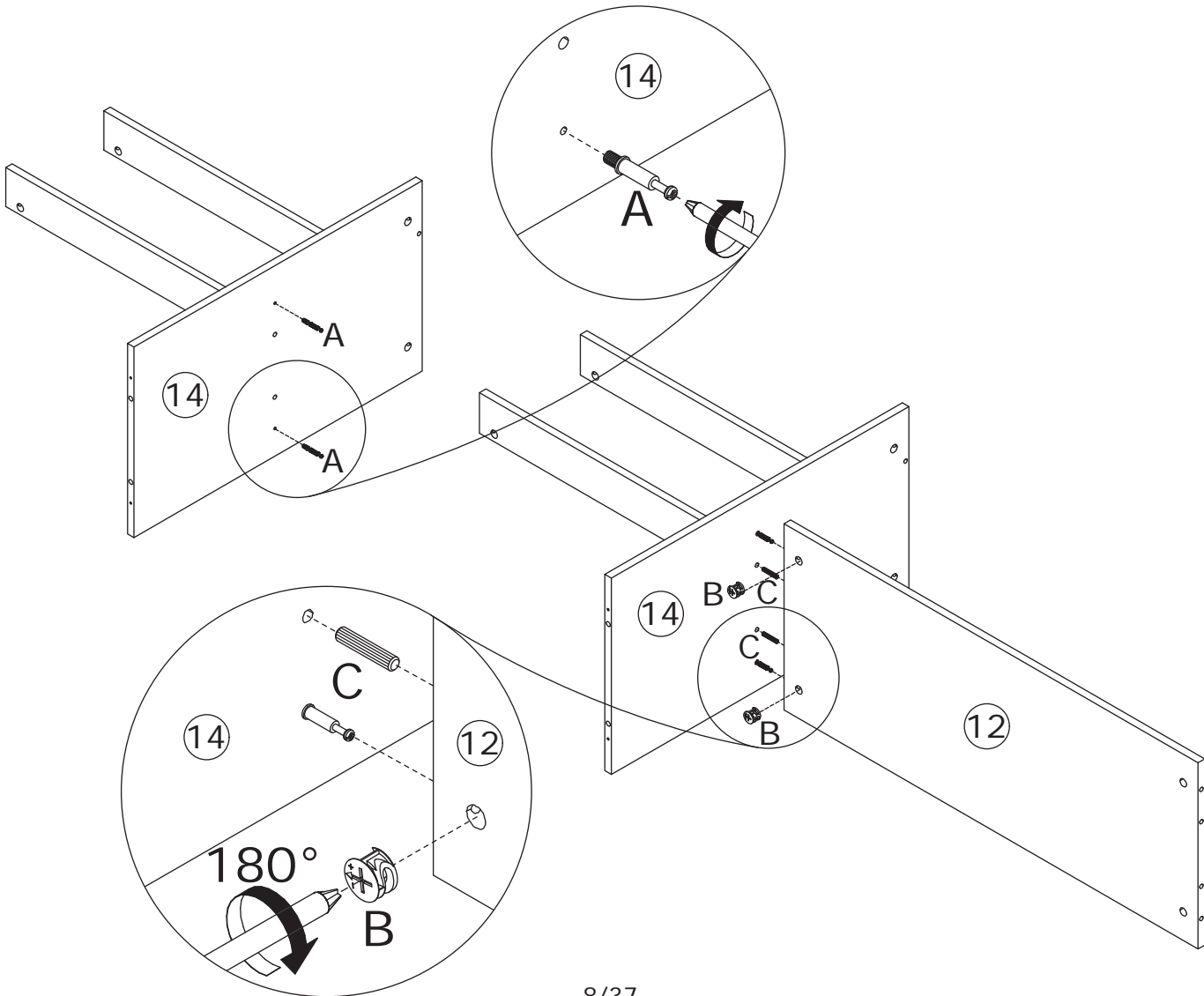
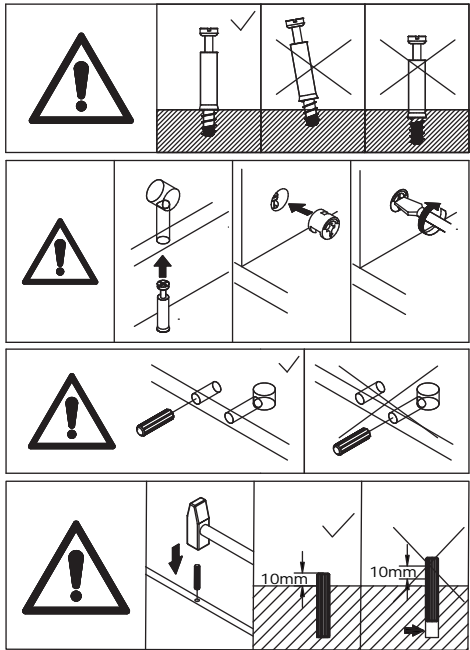
Attach board 22 to board 14 with wooden dowel(C), add cam lock(B) into board 22 and turn clockwise to tighten as shown.



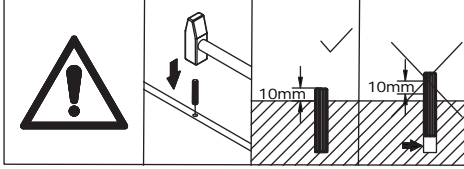
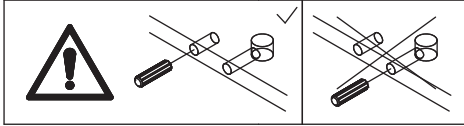
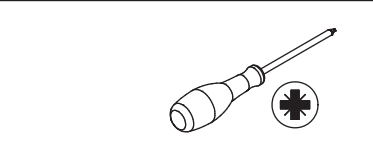
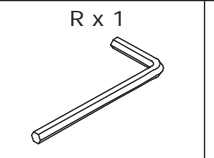
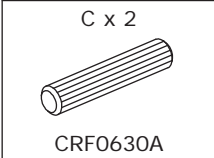
3



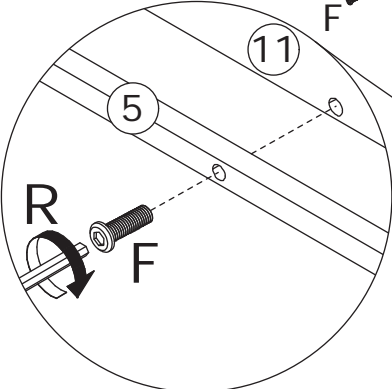
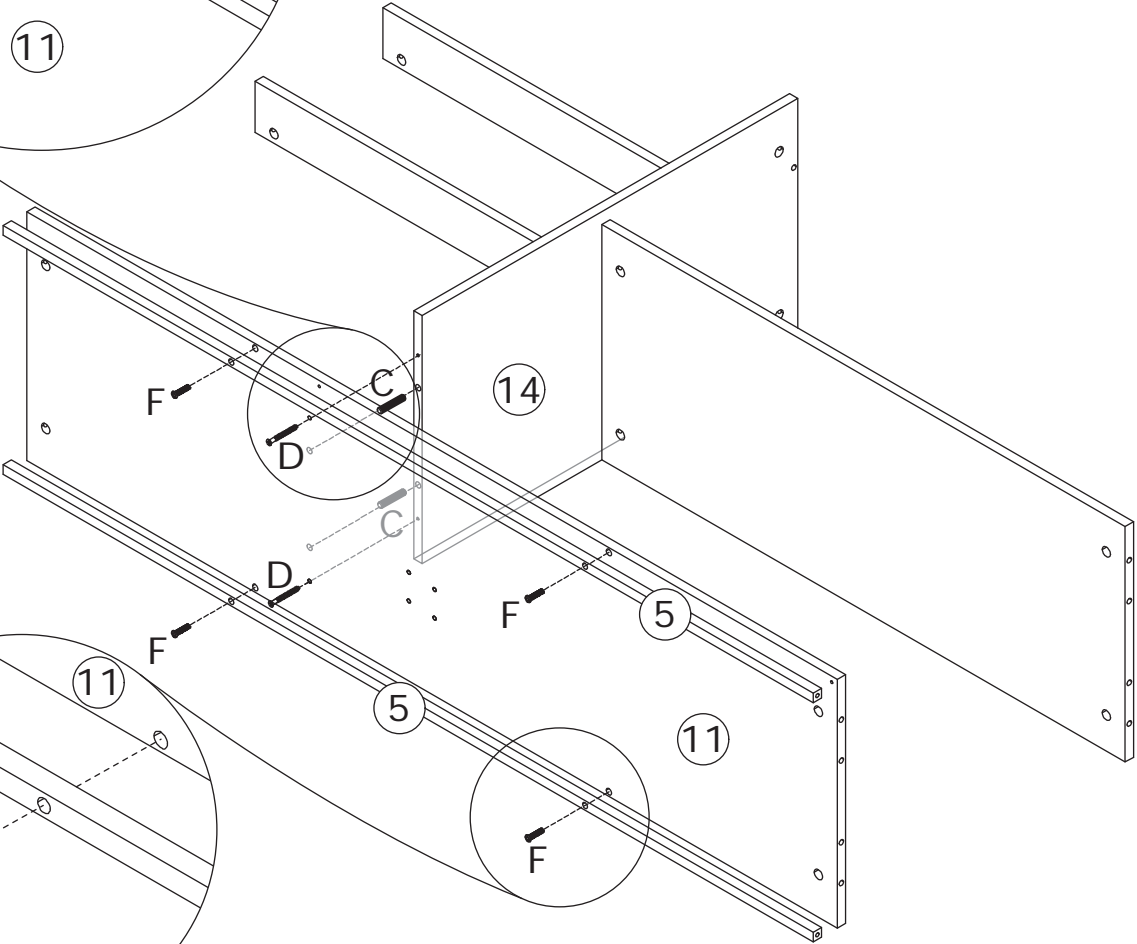
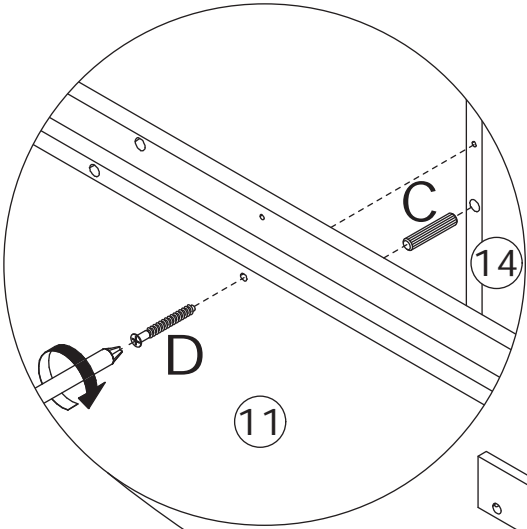
Screw eccentric rod(A) into board 14 as shown.
Attach board 12 to board 14 with wooden dowel(C) and turn cam lock(B) clockwise to tighten as shown.



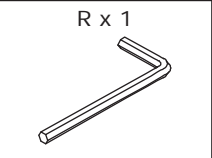
4



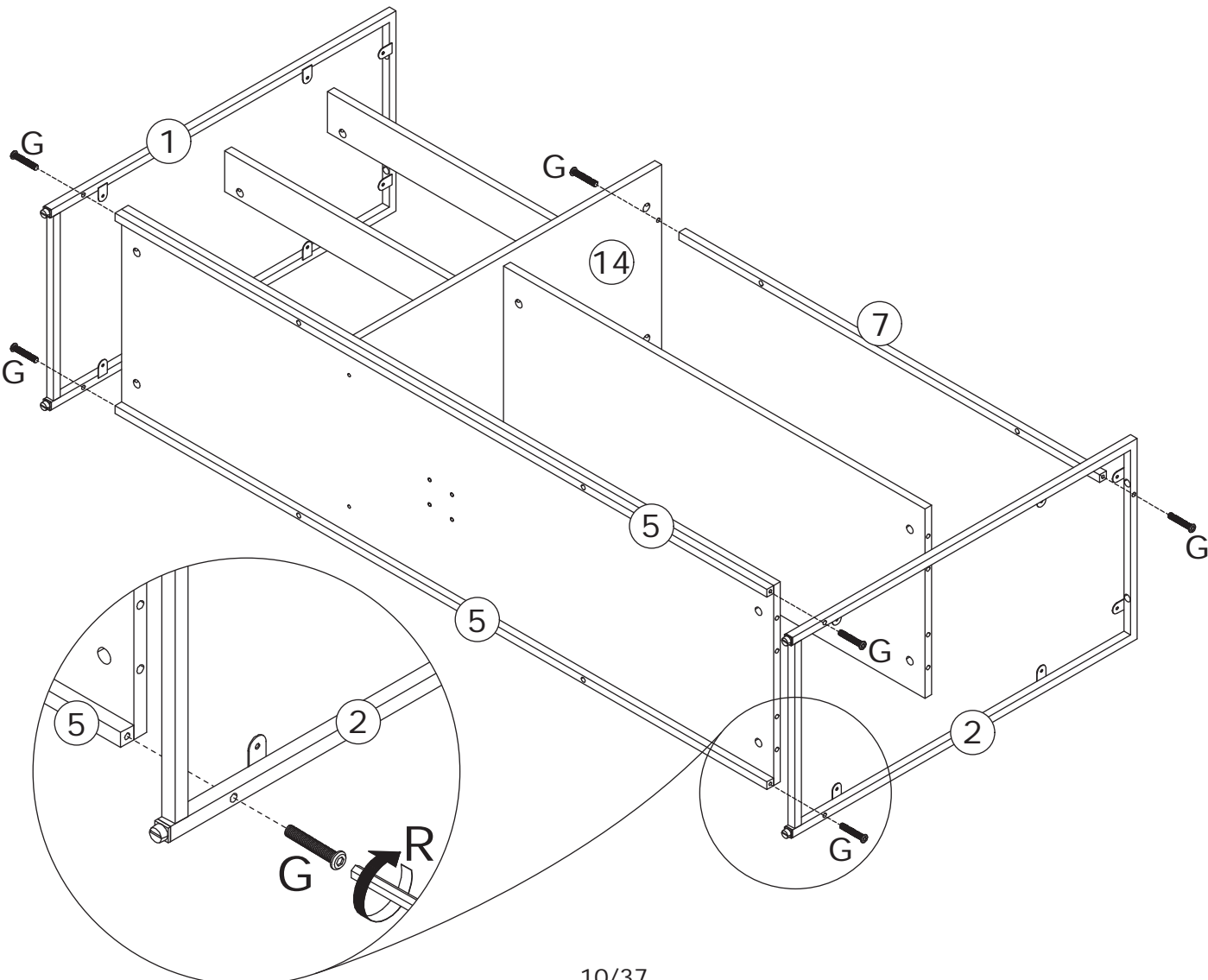
Attach board 11 to board 14 using wooden dowel(C), and fix with screw(D) as shown.
Fix tube 5 to board 11 with screw(F) as shown.



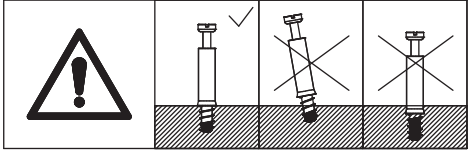
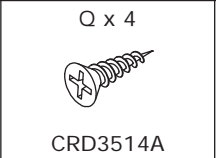
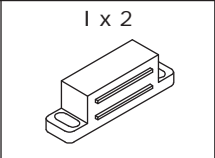
5



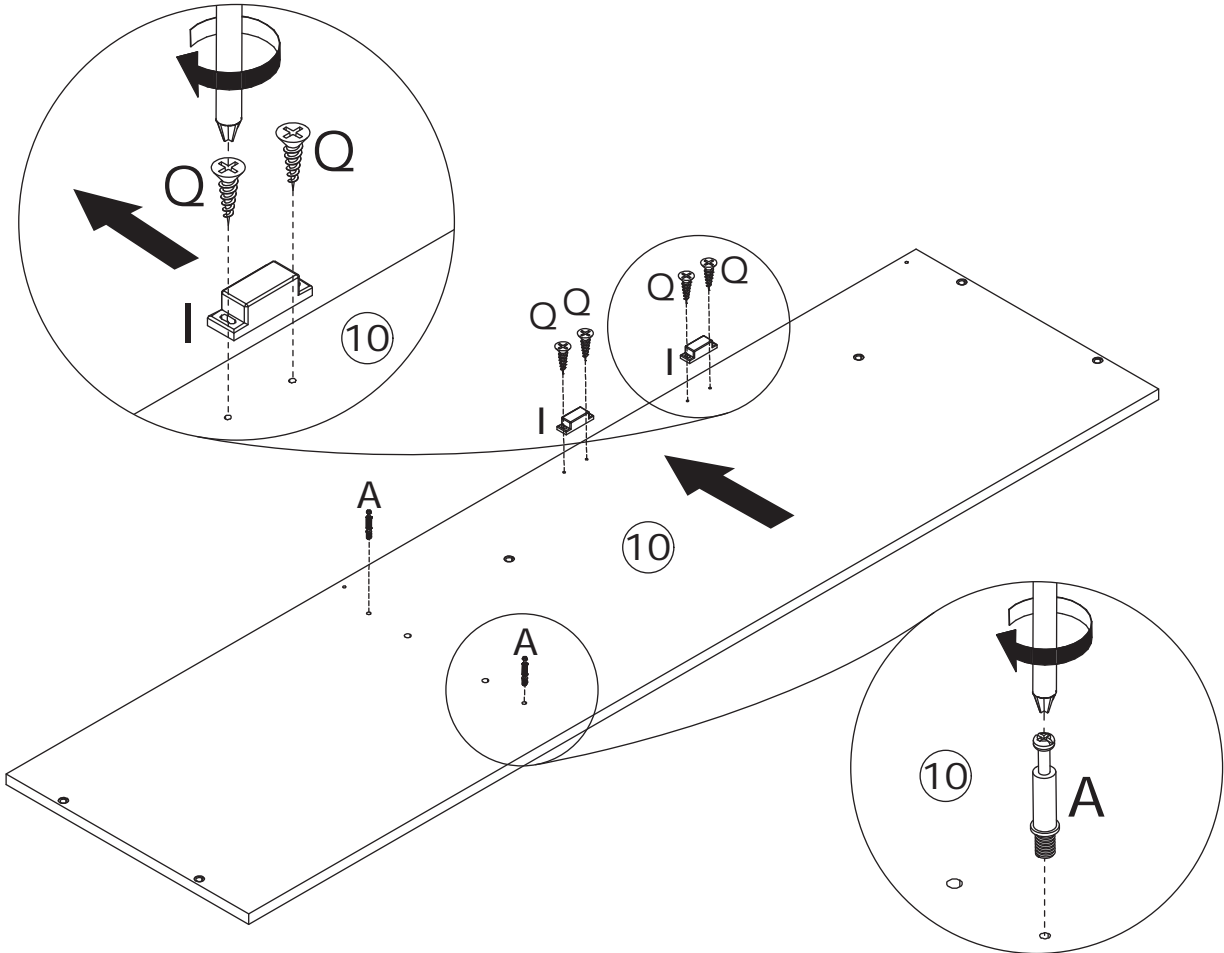
Fix tube 7 to board 14 with screw(G) at first.
Attach frame 1 and 2 to the component with
screw(G) as shown.




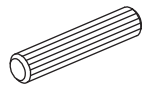
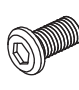
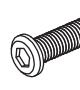
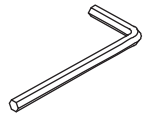
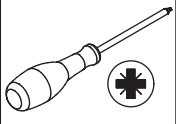
6



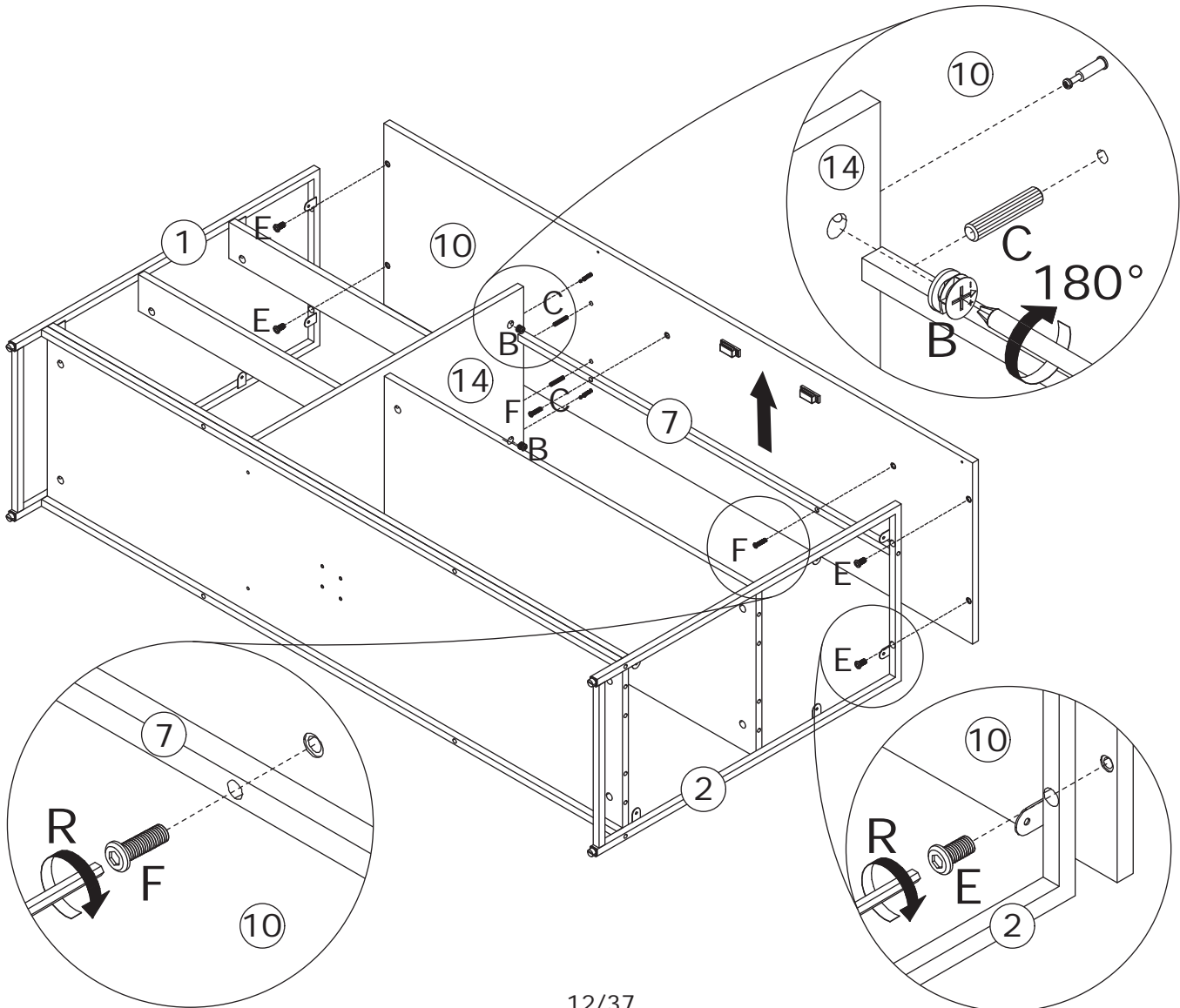
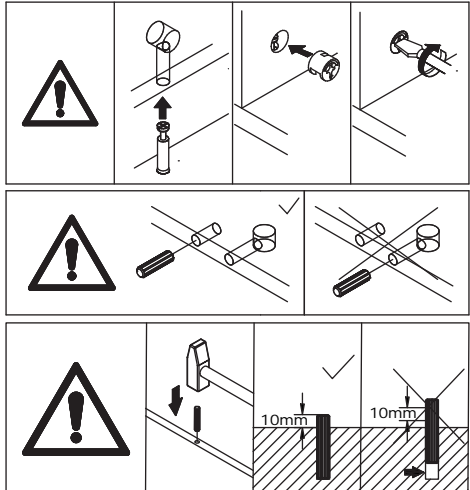
Fix part(I) to board 10 with screw(Q) at first.
Screw eccentric rod(A) into board 10 as shown.



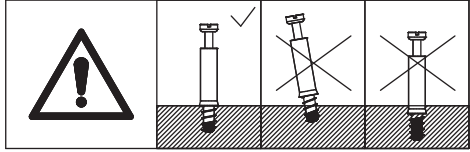
7

<p>B x 2</p>  <p>CRB1595A</p>	<p>C x 2</p>  <p>CRF0630A</p>	<p>E x 4</p>  <p>CRG0612A</p>	<p>F x 2</p>  <p>CRG0625A</p>	<p>R x 1</p> 	
--	--	--	---	--	---

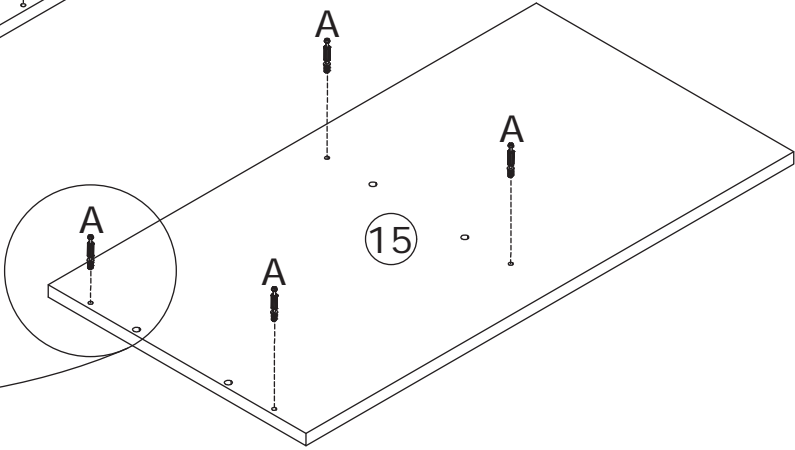
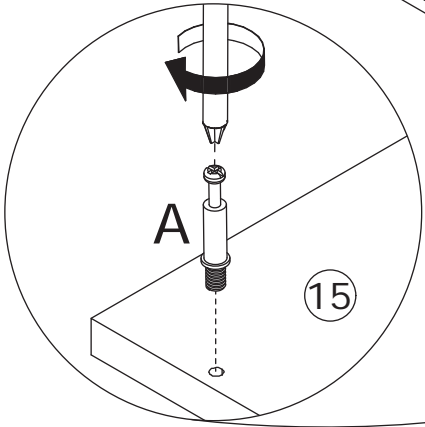
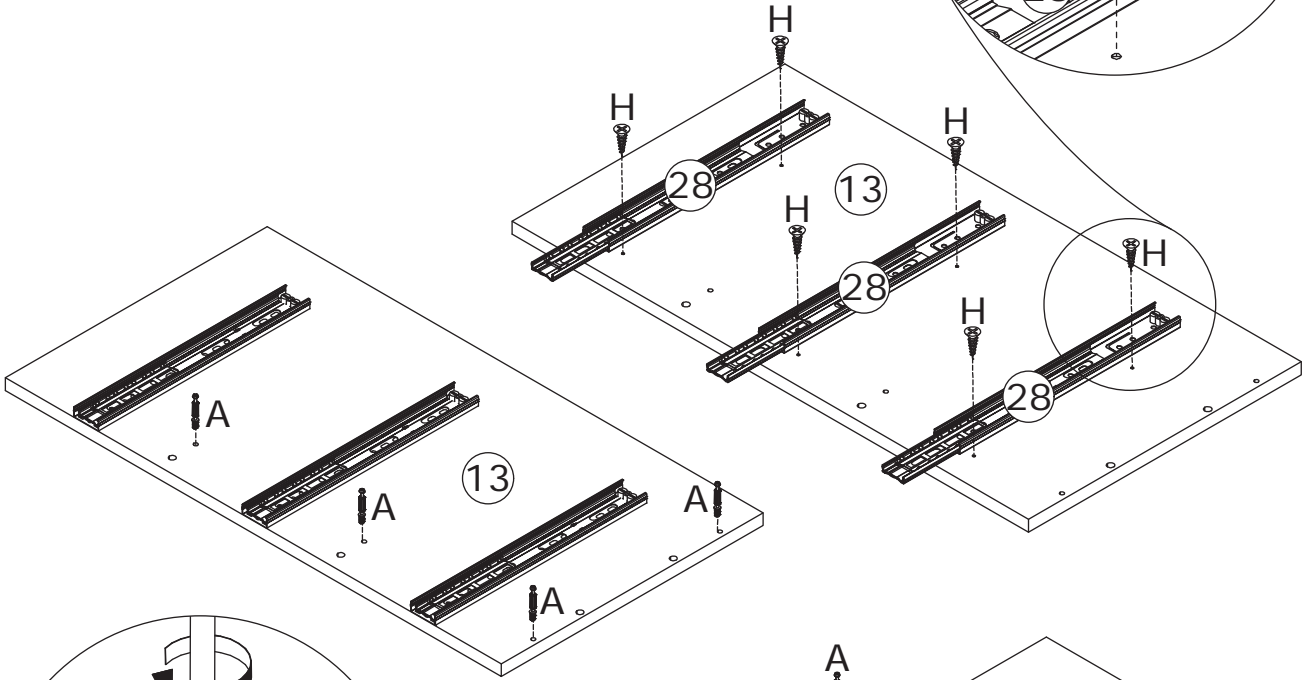
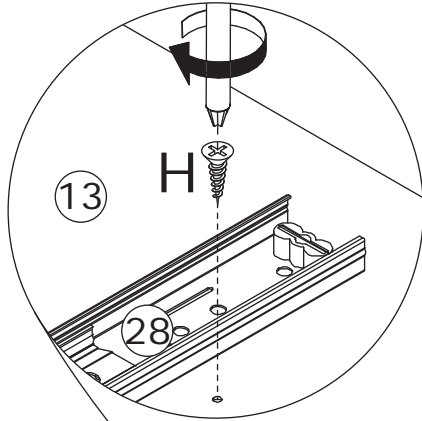
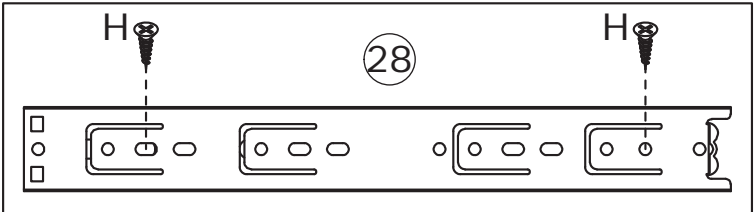
Cover board 10 to top using wooden dowel(C), add cam lock(B) into board 14 and turn clockwise to tighten at first. Fix frame 1 and 2 to board 10 with screw(E). Fix tube 7 to board 10 with screw(F).



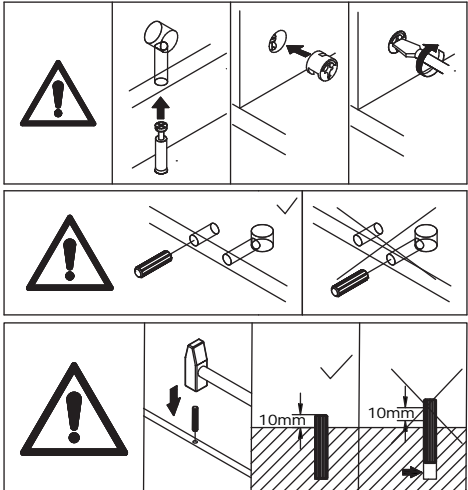
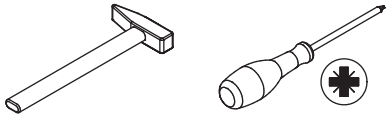
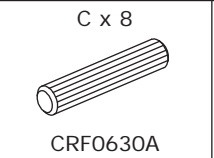
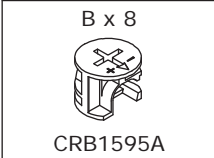
8



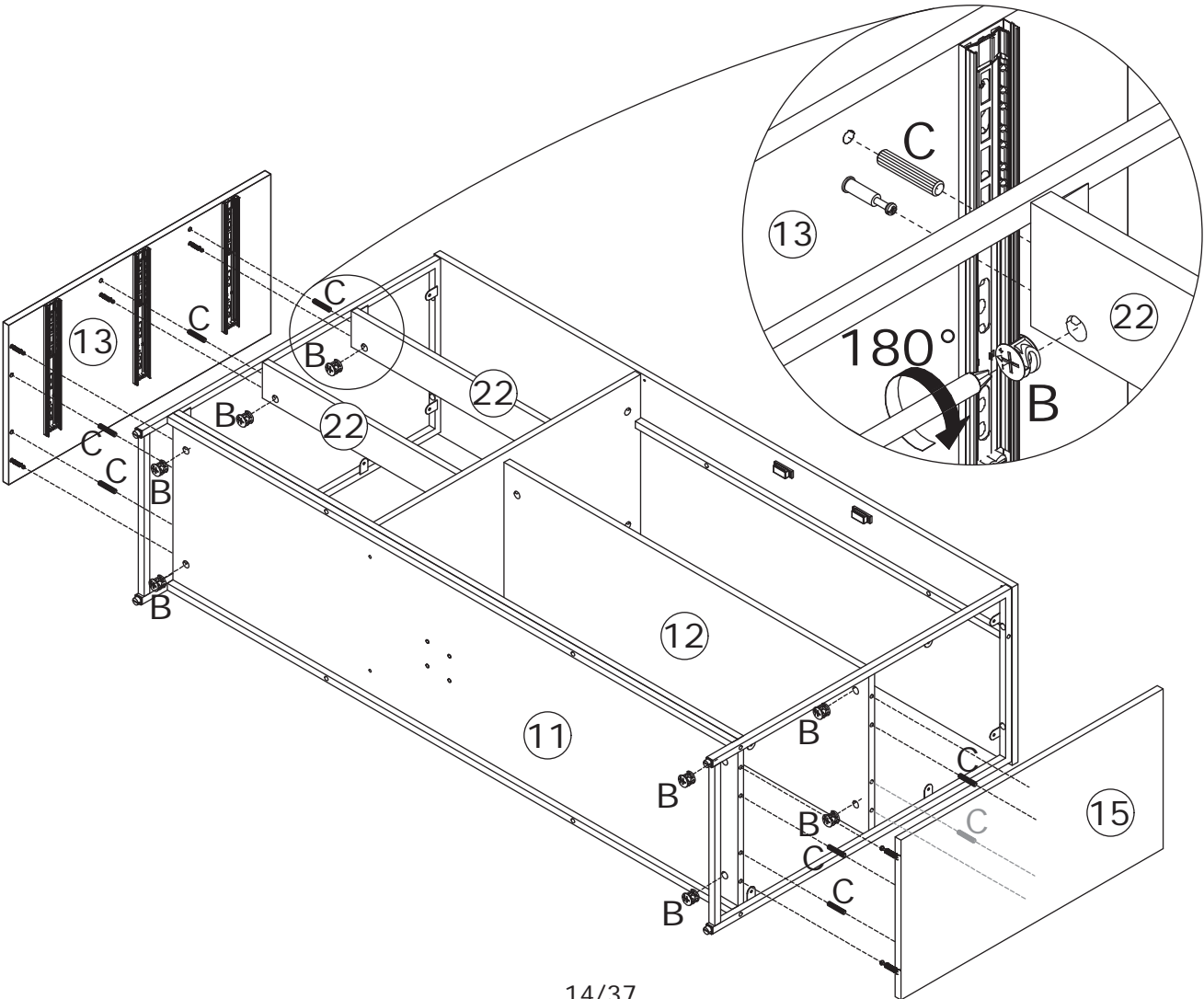
Fix slide rail 28 to board 13 with screw(H) as shown.
Screw eccentric rod(A) into board 13 and 15 as shown.



9

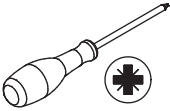


Attach board 13 and 15 to side of the unit using wooden dowel(C) and turn cam locks(B) clockwise to tighten as shown.

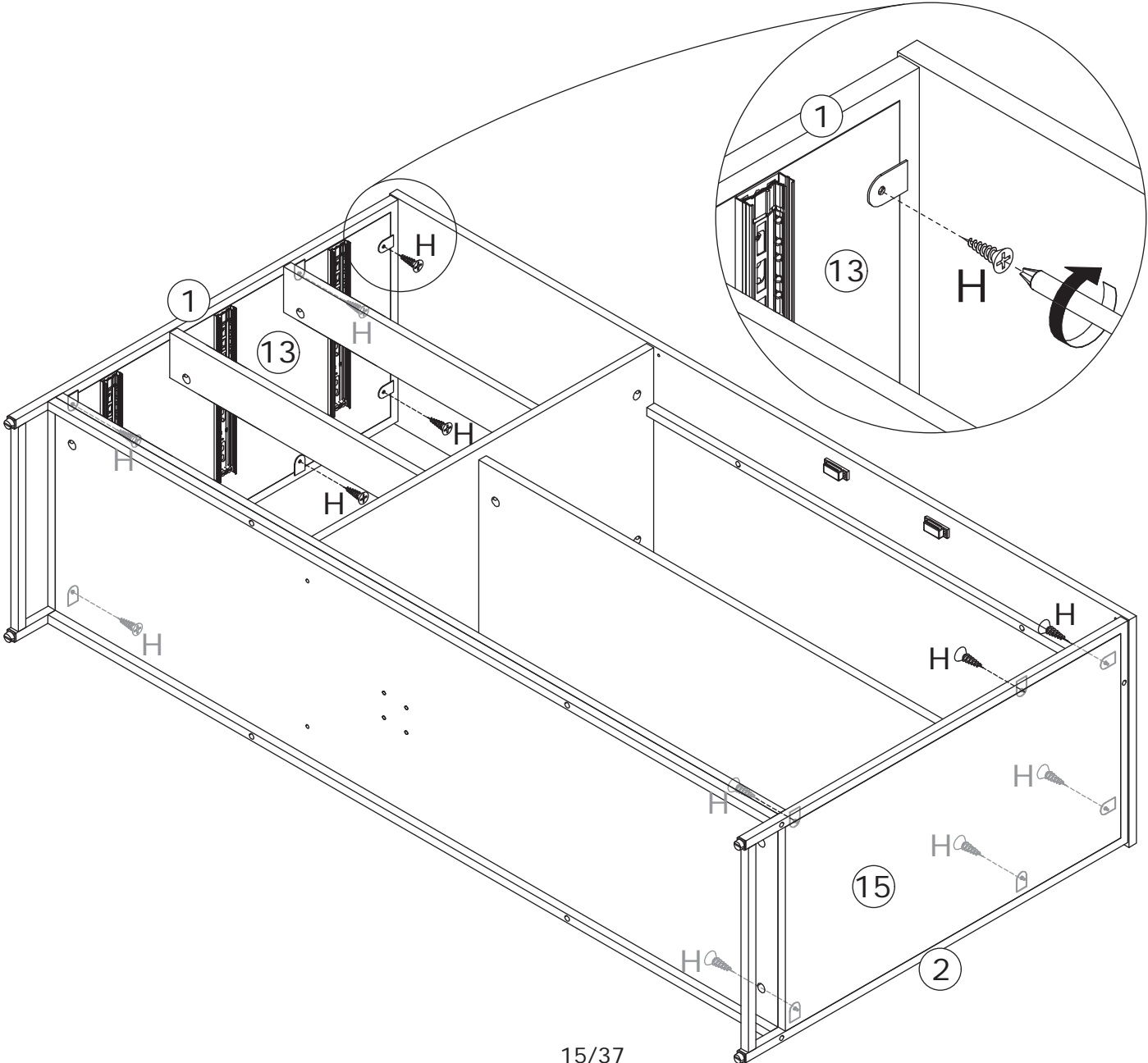


10

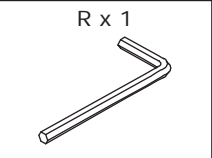
H x 12
CRD3512A



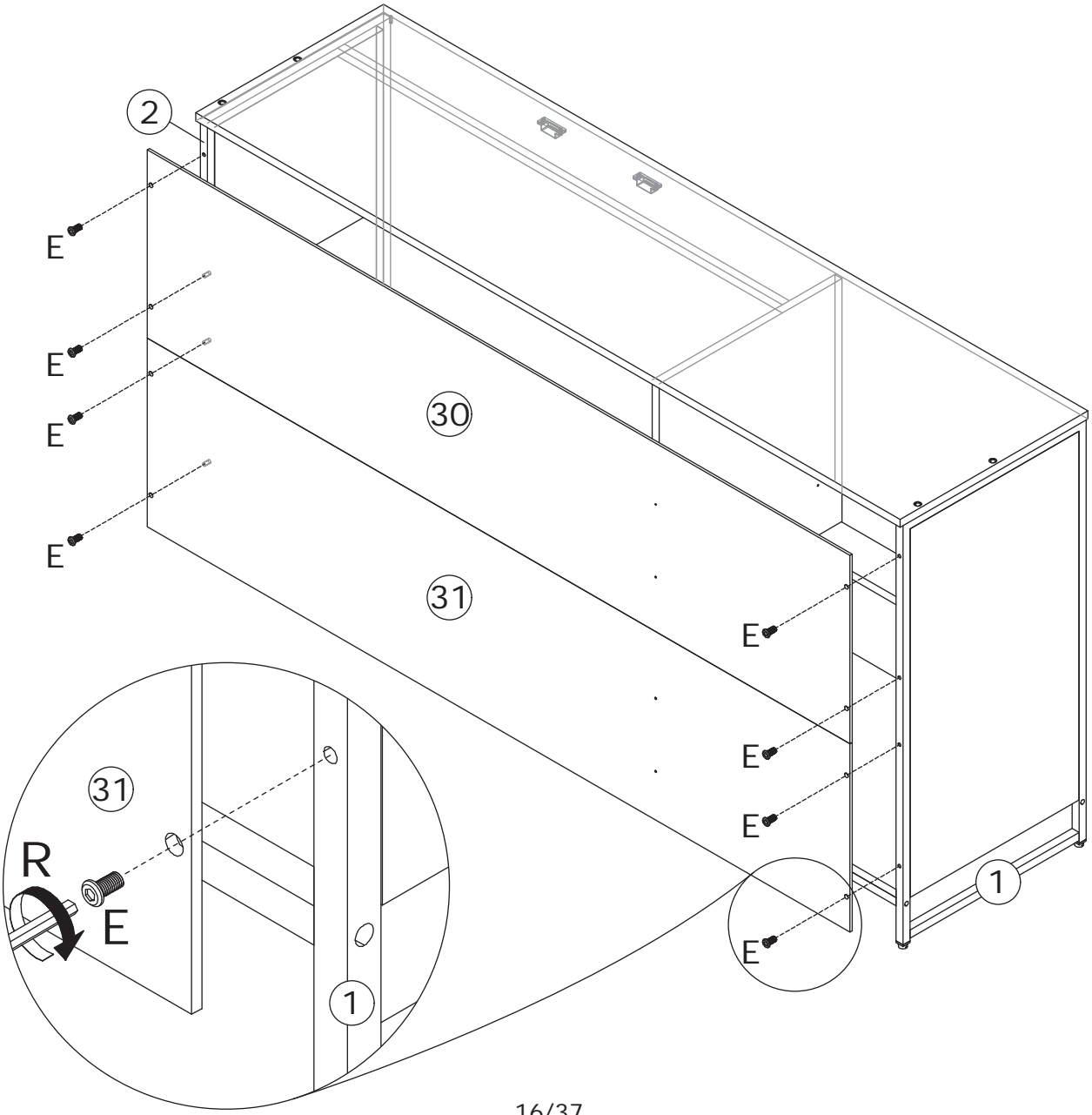
Fix board 13 to frame 1, board 15 to frame 2 with screw(H) as shown.



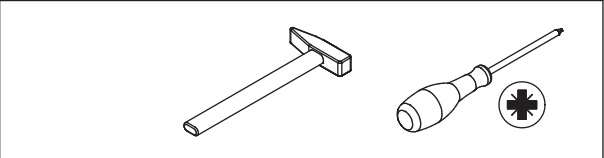
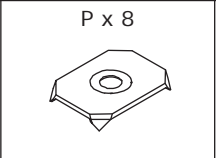
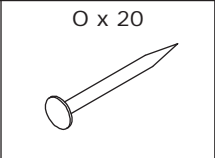
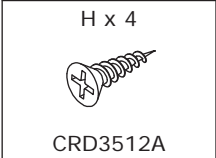
11



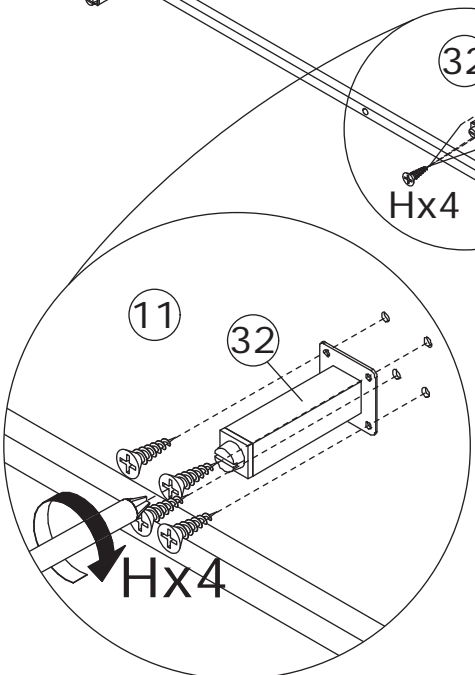
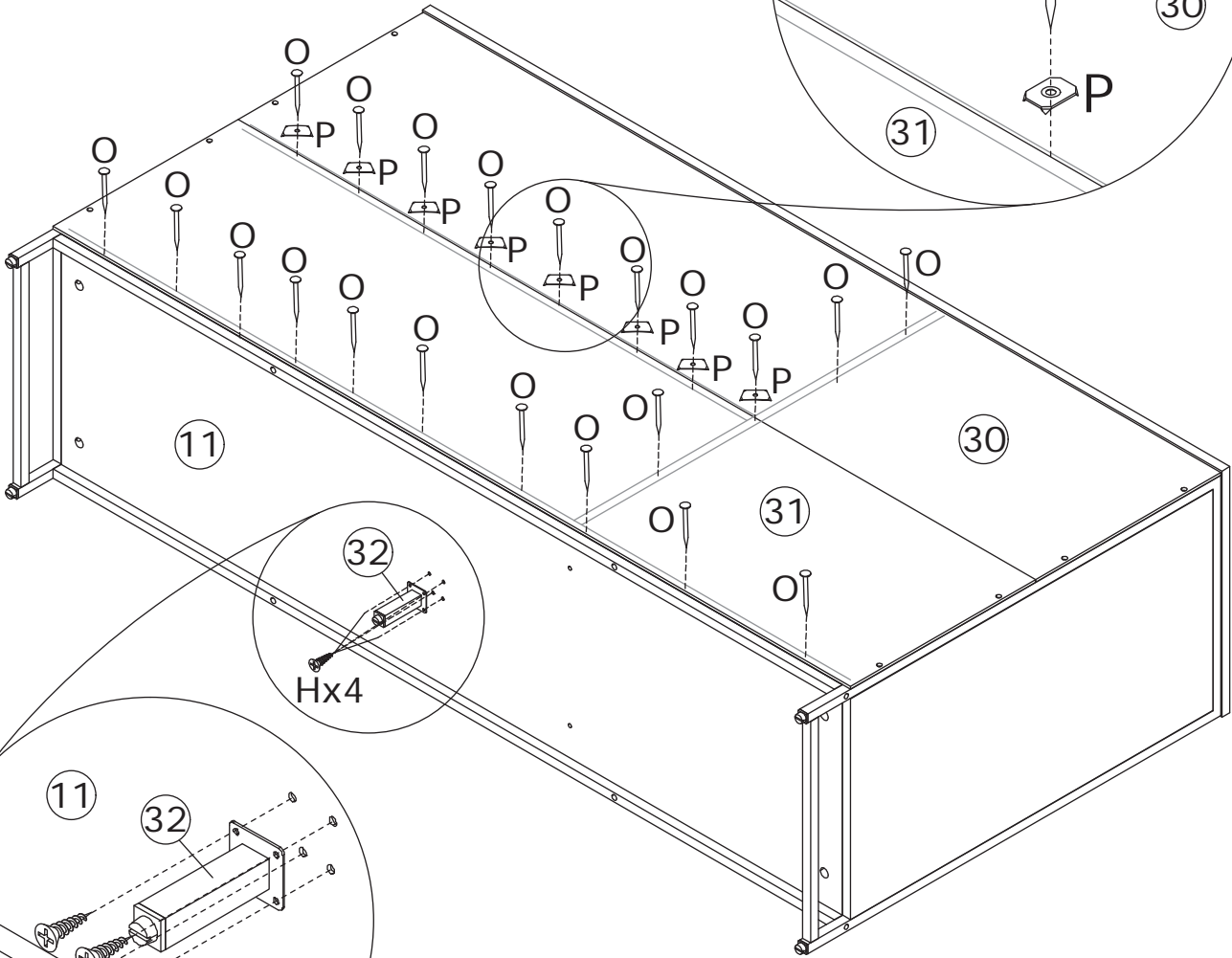
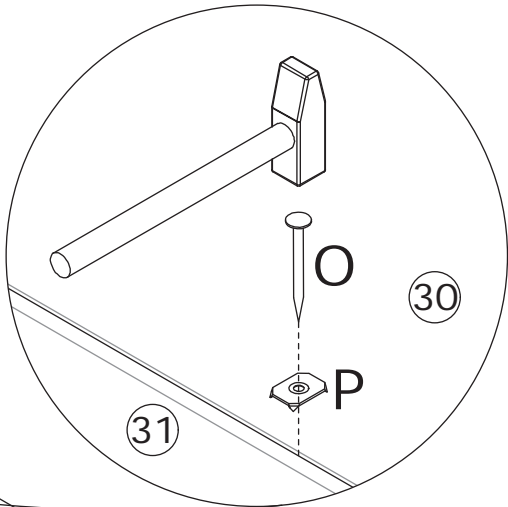
Fix back board 30 and 31 to the assembled unit with screw(E) as shown.



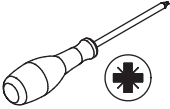
12



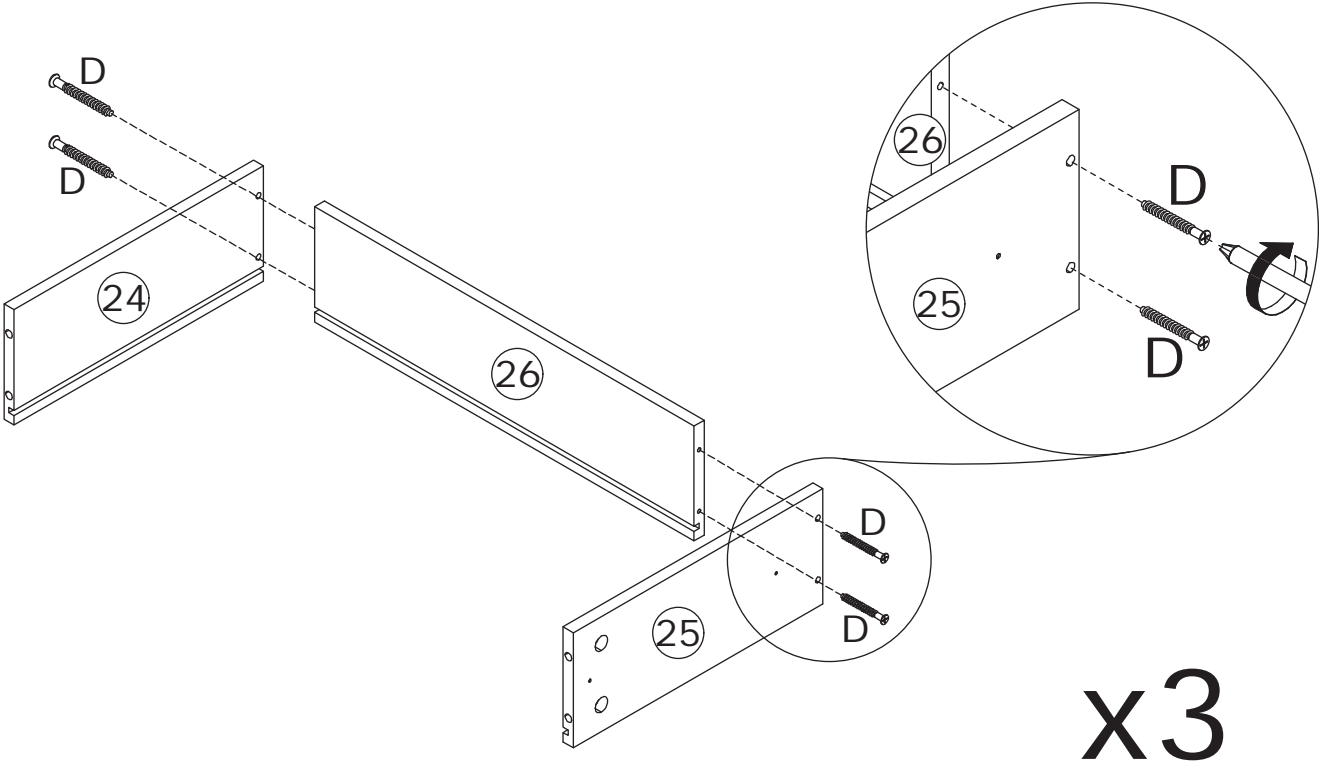
Reinforce the back board with part(P) and nail(O) as shown.
Fix leg support 32 to board 11 with screw(H) as shown.



13

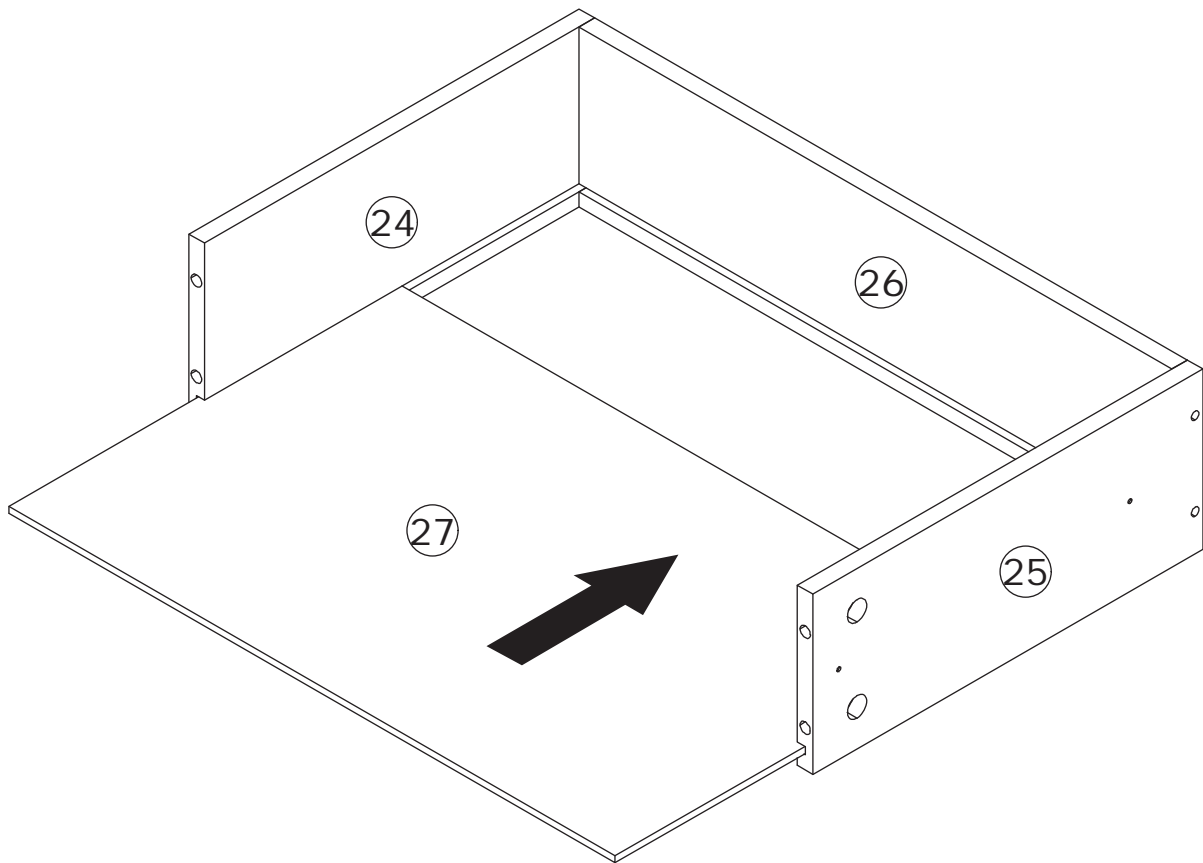


Fix board 24 and 25 to board 26 with screw(D) as shown.



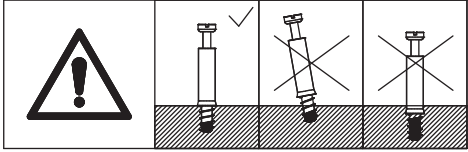
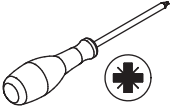
14

Slide board 27 along available slots as shown.

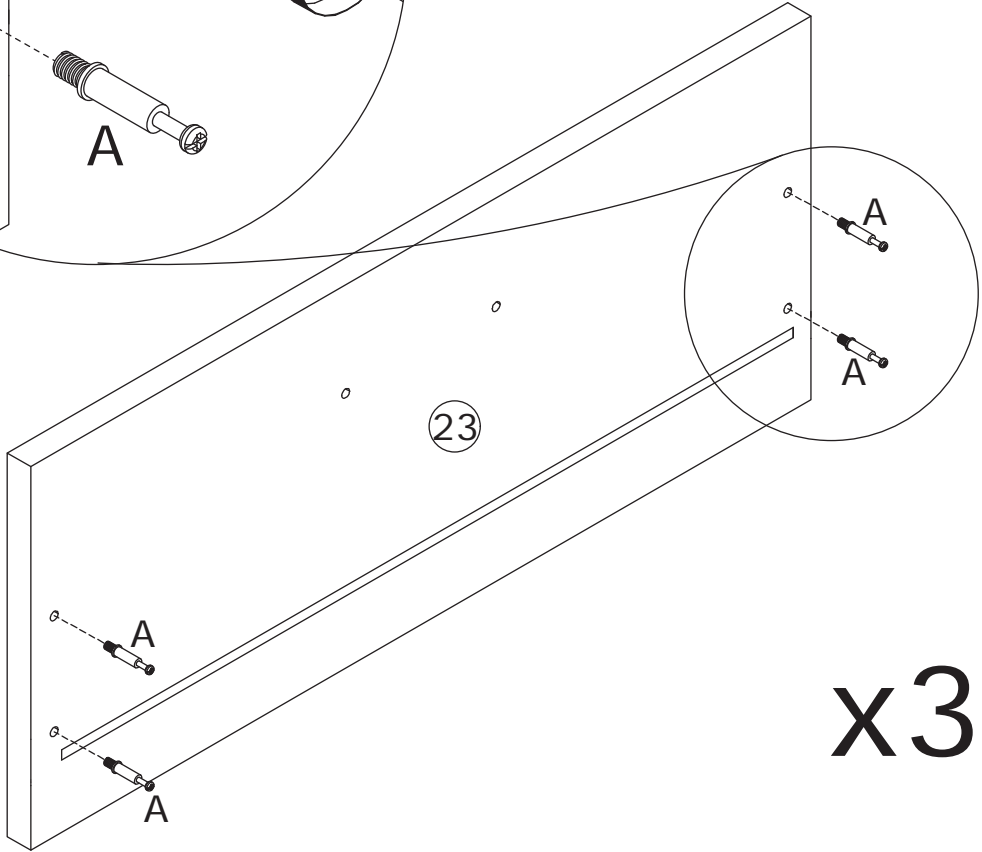
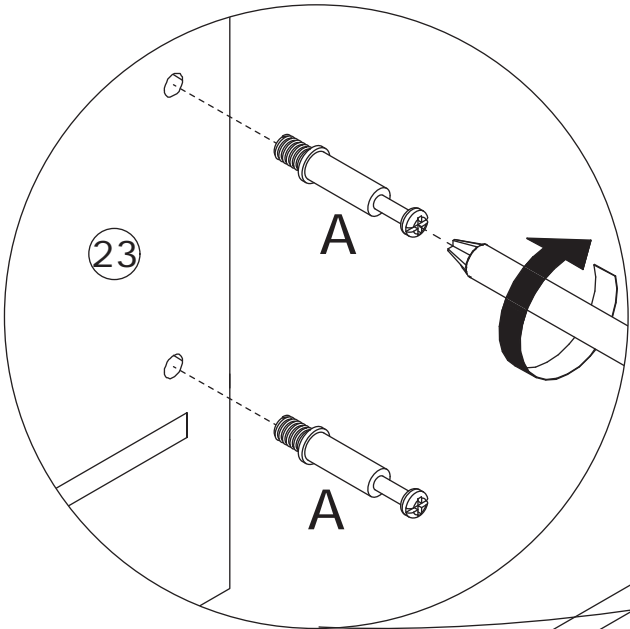


x3


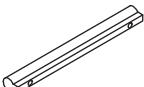

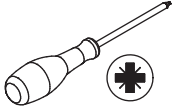
15

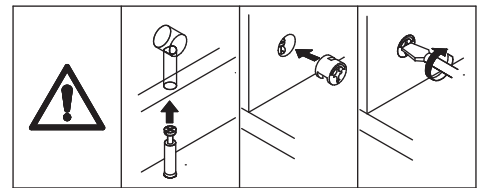


Screw eccentric rod(A) into board 23 as shown.

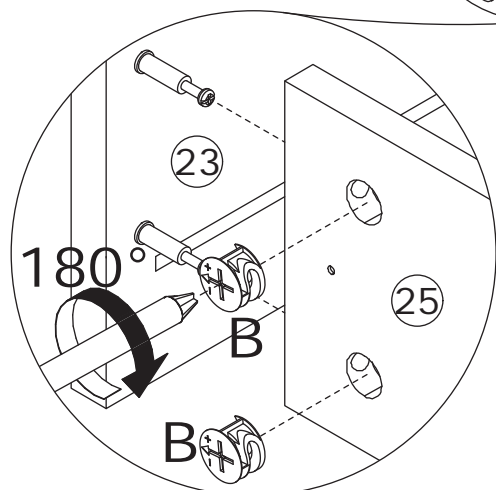
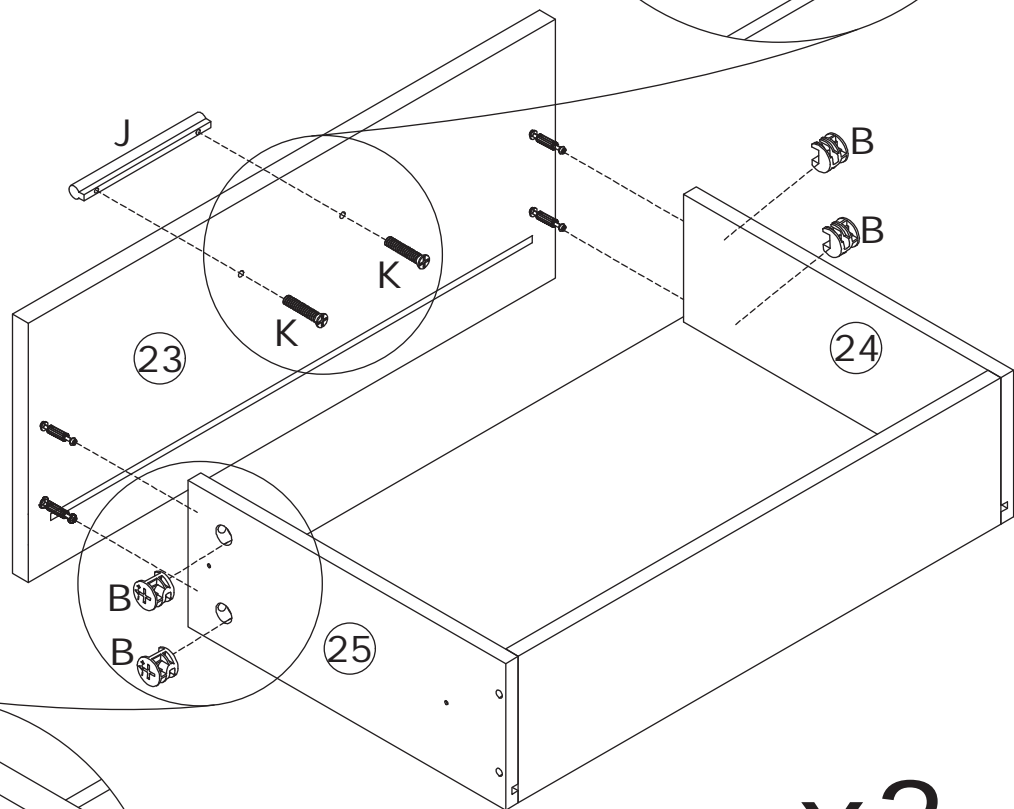
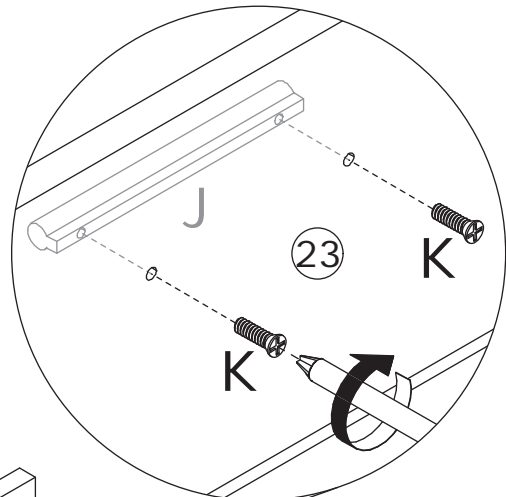


16

<p>B x 12  CRB1595A</p>	<p>J x 3 </p>	<p>K x 6  CRE0418A</p>	
--	--	---	---

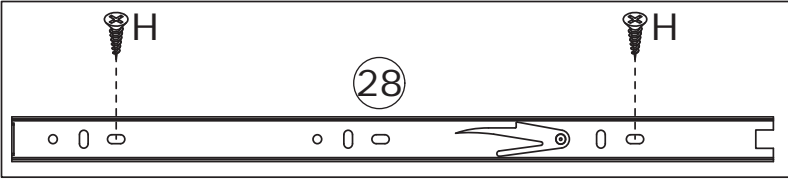
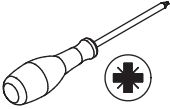


Attach board 23 to the component and turn cam lock(B) clockwise to tighten as shown.
Fix handle(J) with screw(K) as shown.

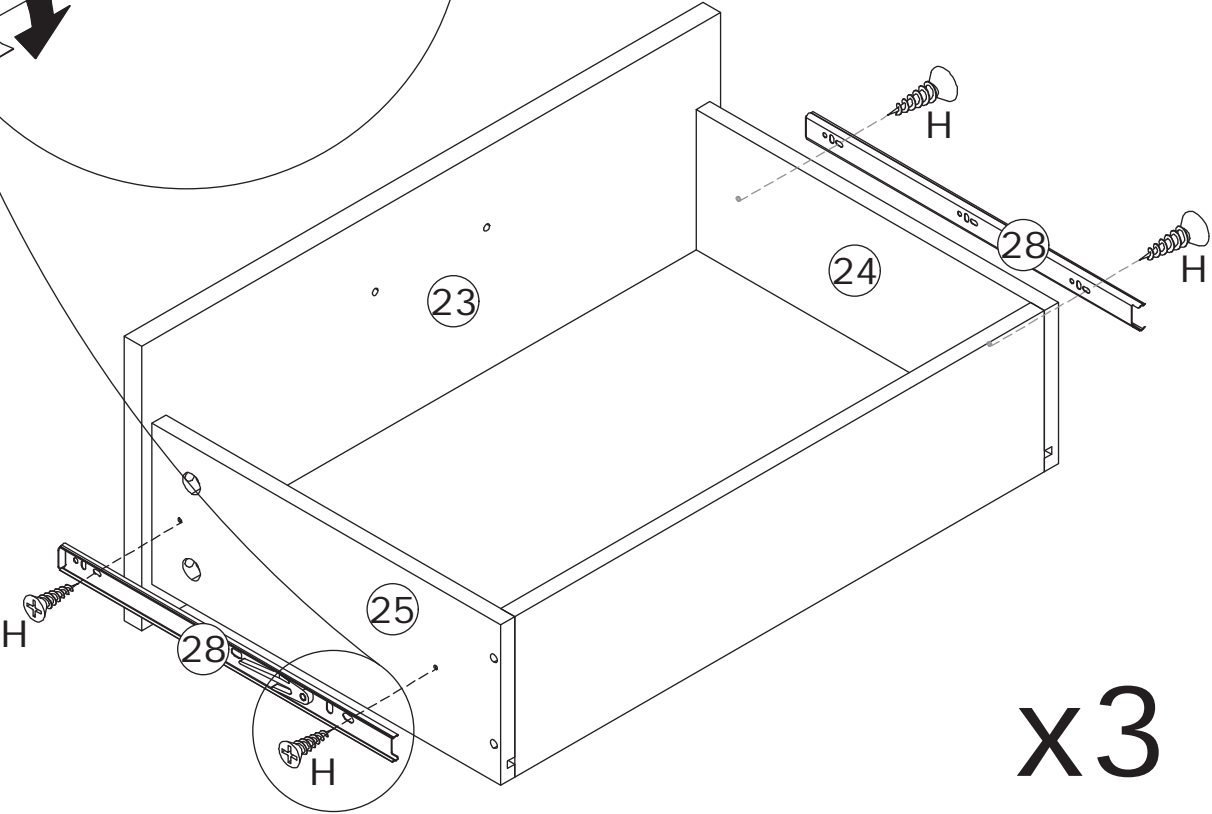
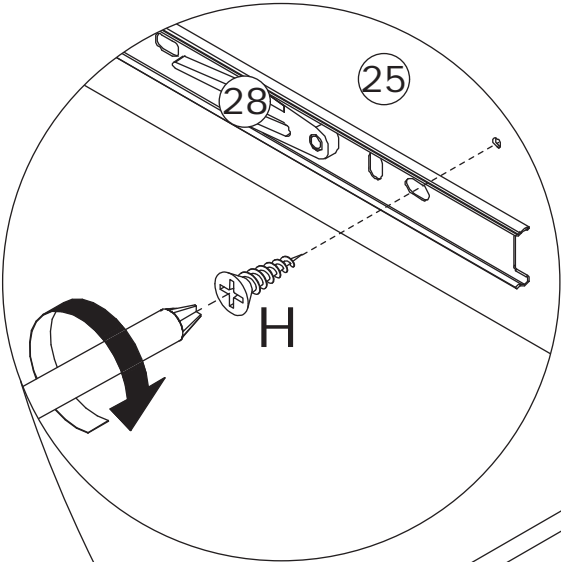


17

H x 12
CRD3512A

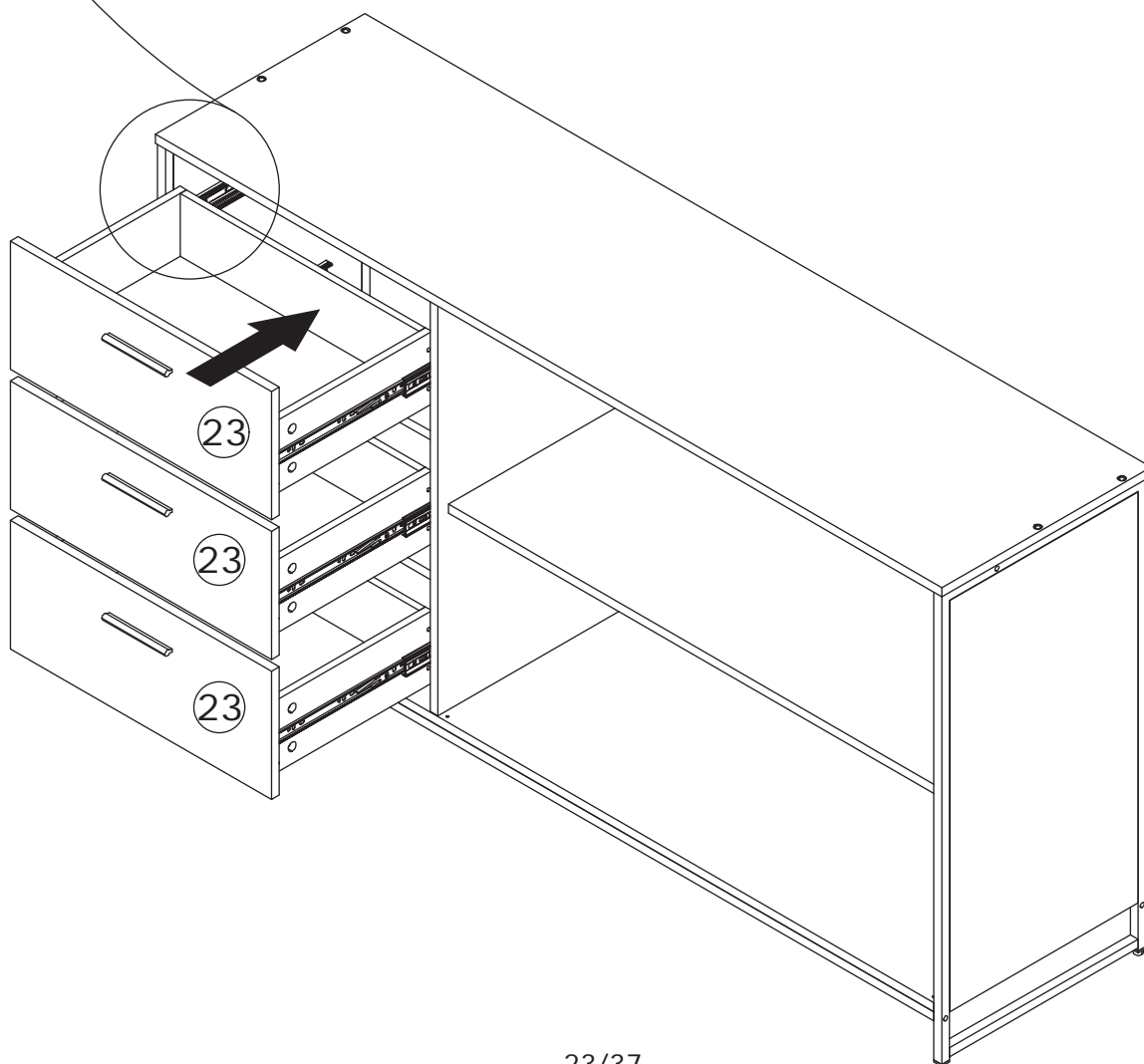
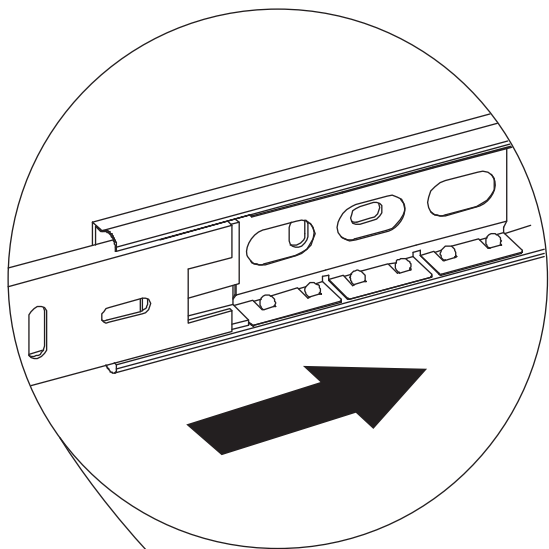


Fix track 28 to drawer sides with screw(H) as shown.

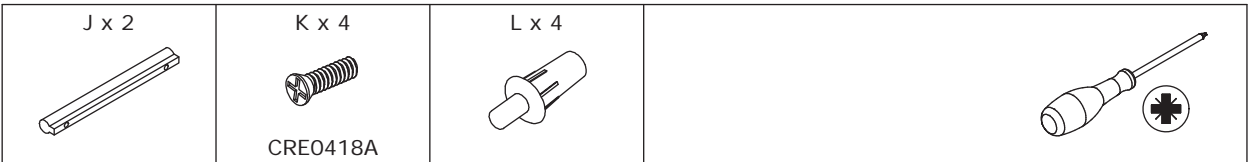


18

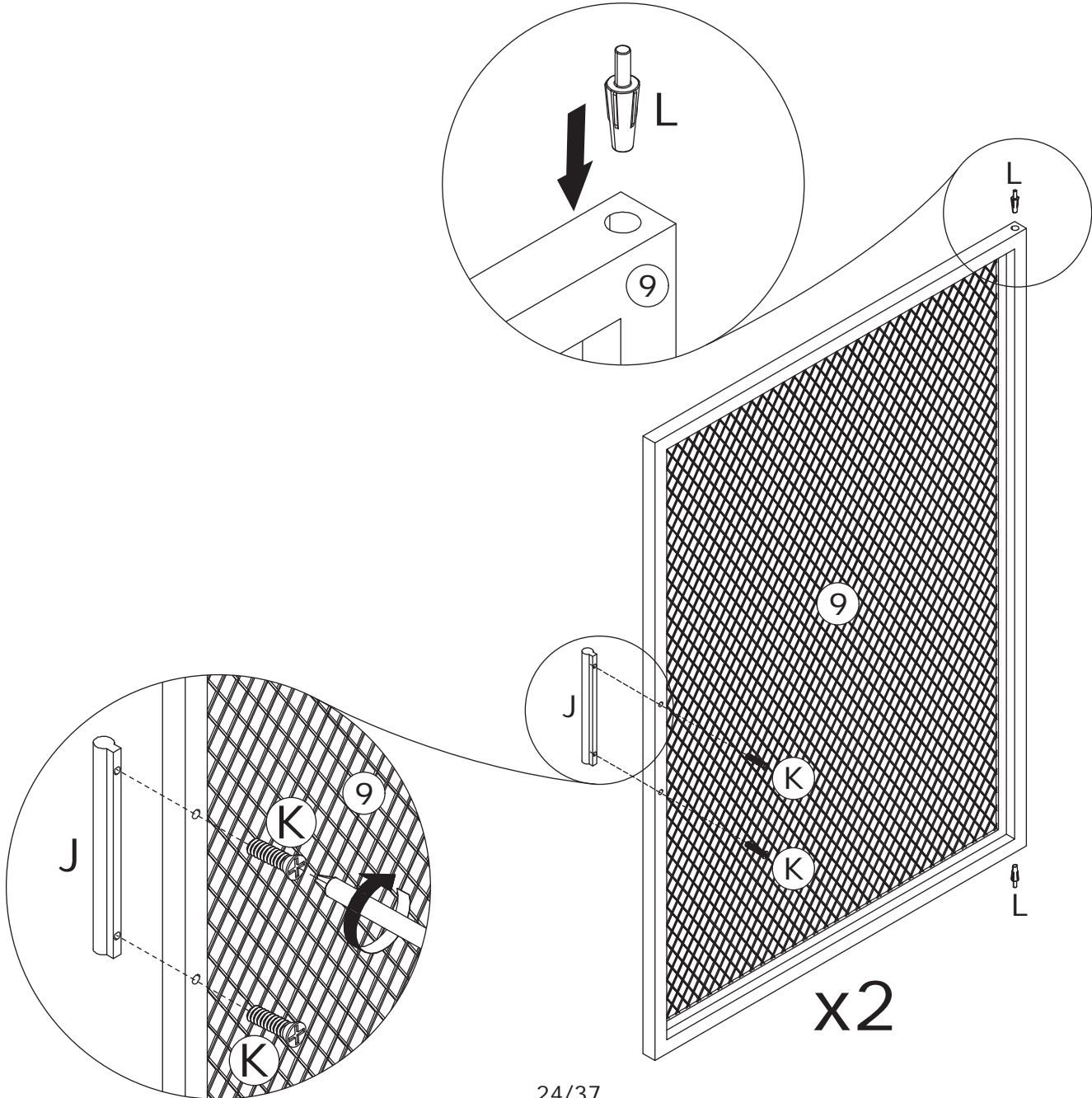
Align rails, slide all drawers.



19

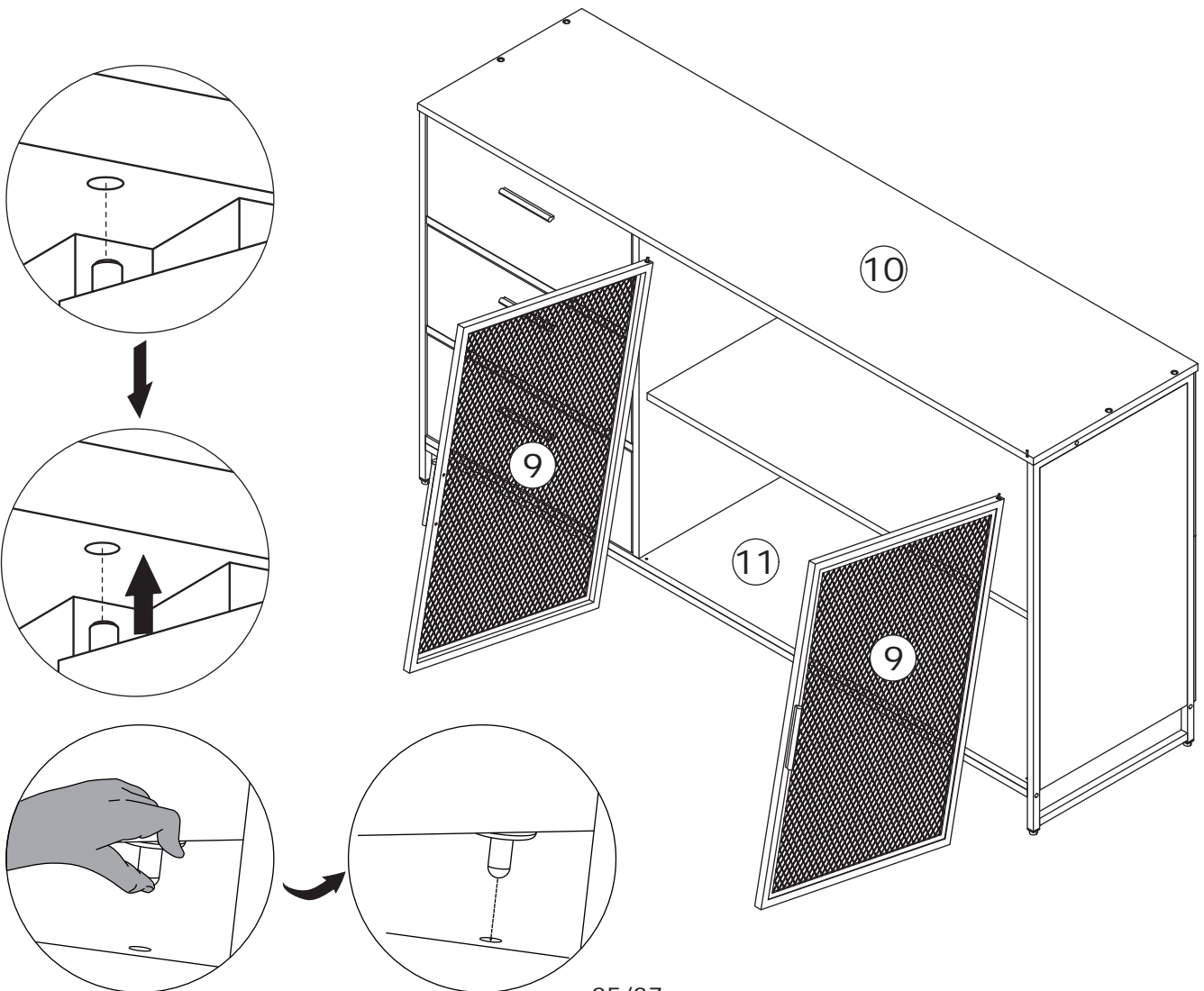


Fix handle(J) to door 9 with screw(K) as shown.
Insert part(L) into door 9 as shown.



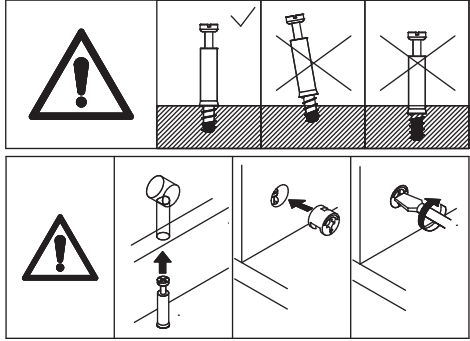
20

Assemble door 9 to the unit as shown.

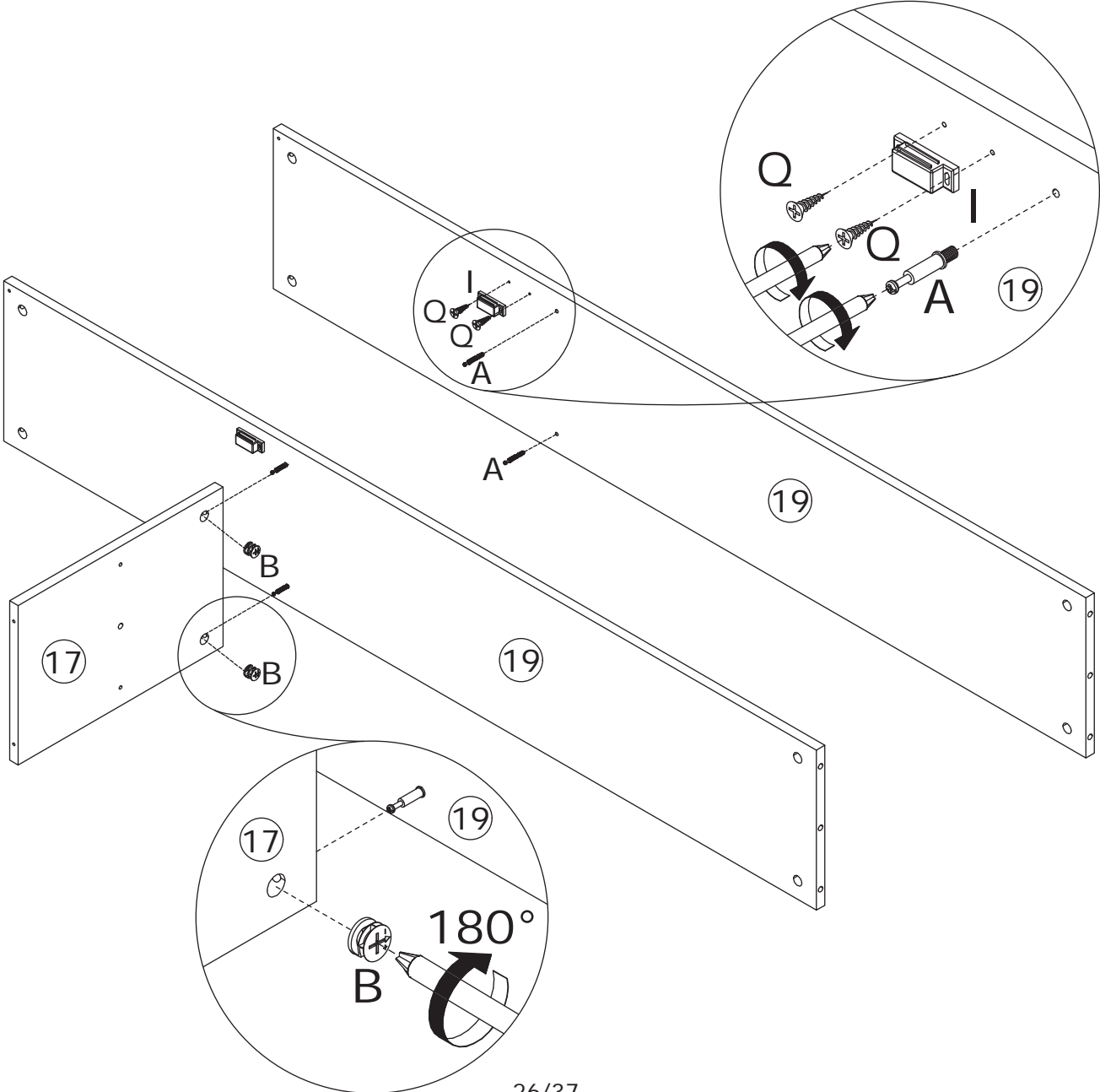


21

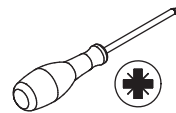
<p>A x 2</p> <p>CRA0635A</p>	<p>B x 2</p> <p>CRB1595A</p>	<p>I x 1</p> <p></p>	<p>Q x 2</p> <p>CRD3514A</p>	
------------------------------	------------------------------	----------------------	------------------------------	--



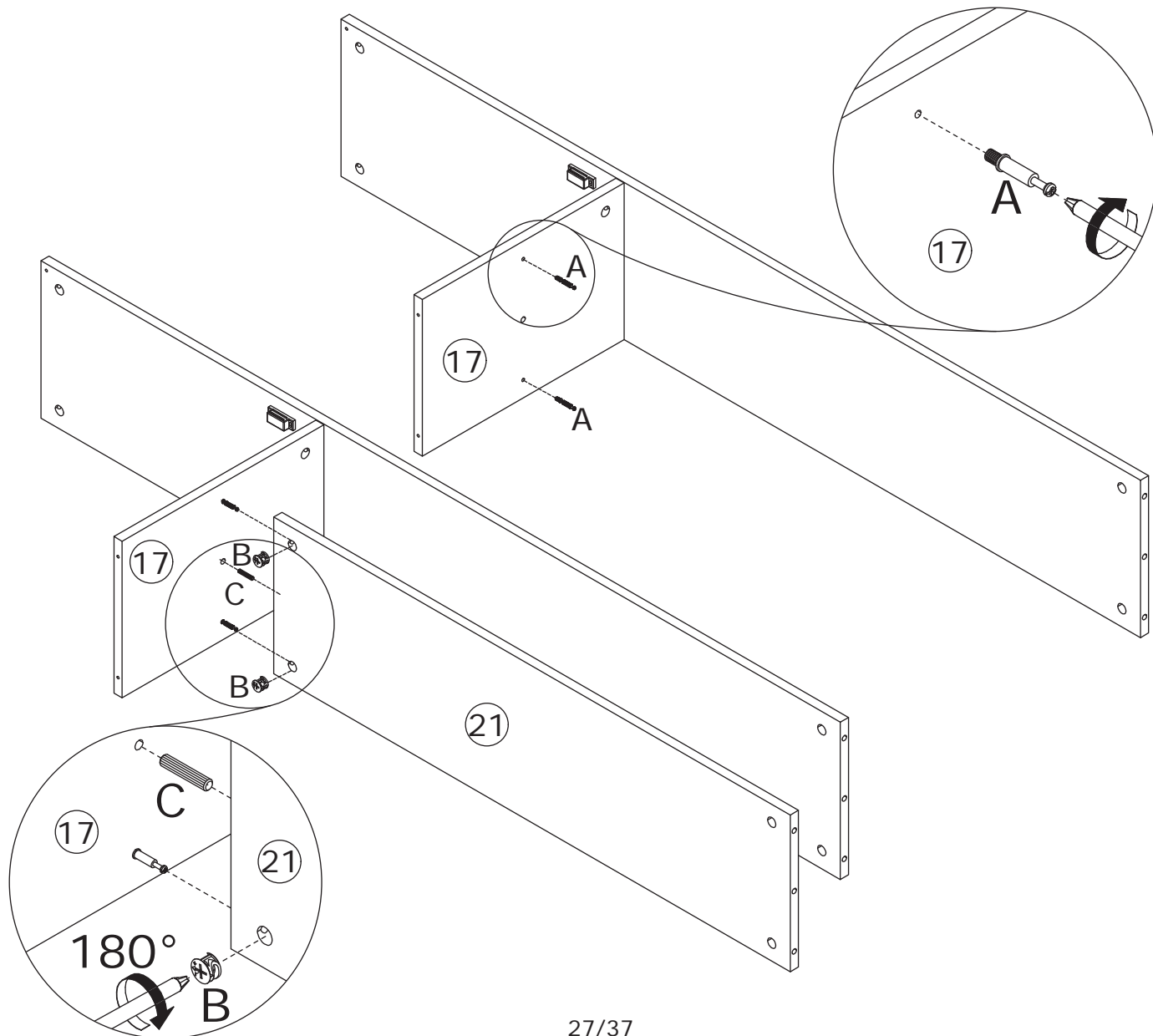
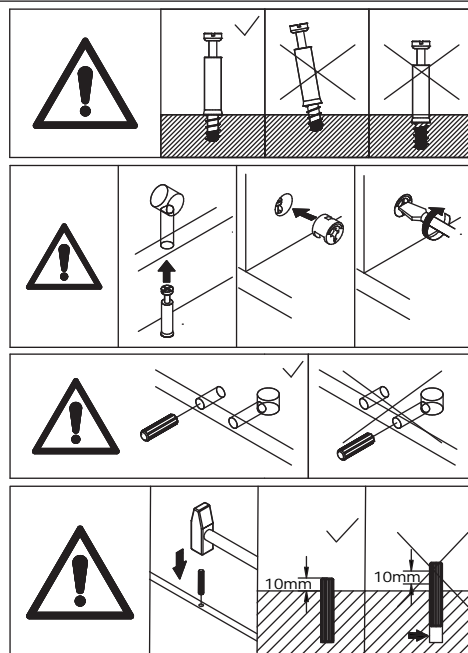
Fix part(I) to board 19 with screw(Q) and screw eccentric rod(A) into at first. Attach board 17 to board 19 and turn cam locks(B) clockwise to tighten as shown.



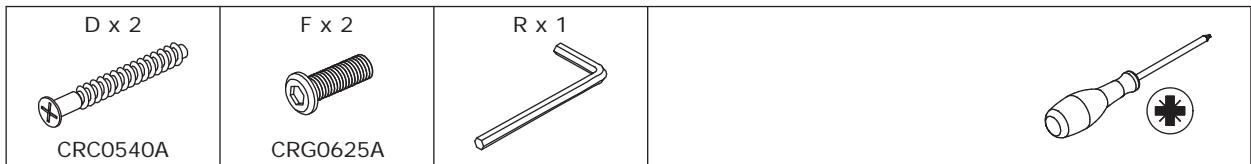
22



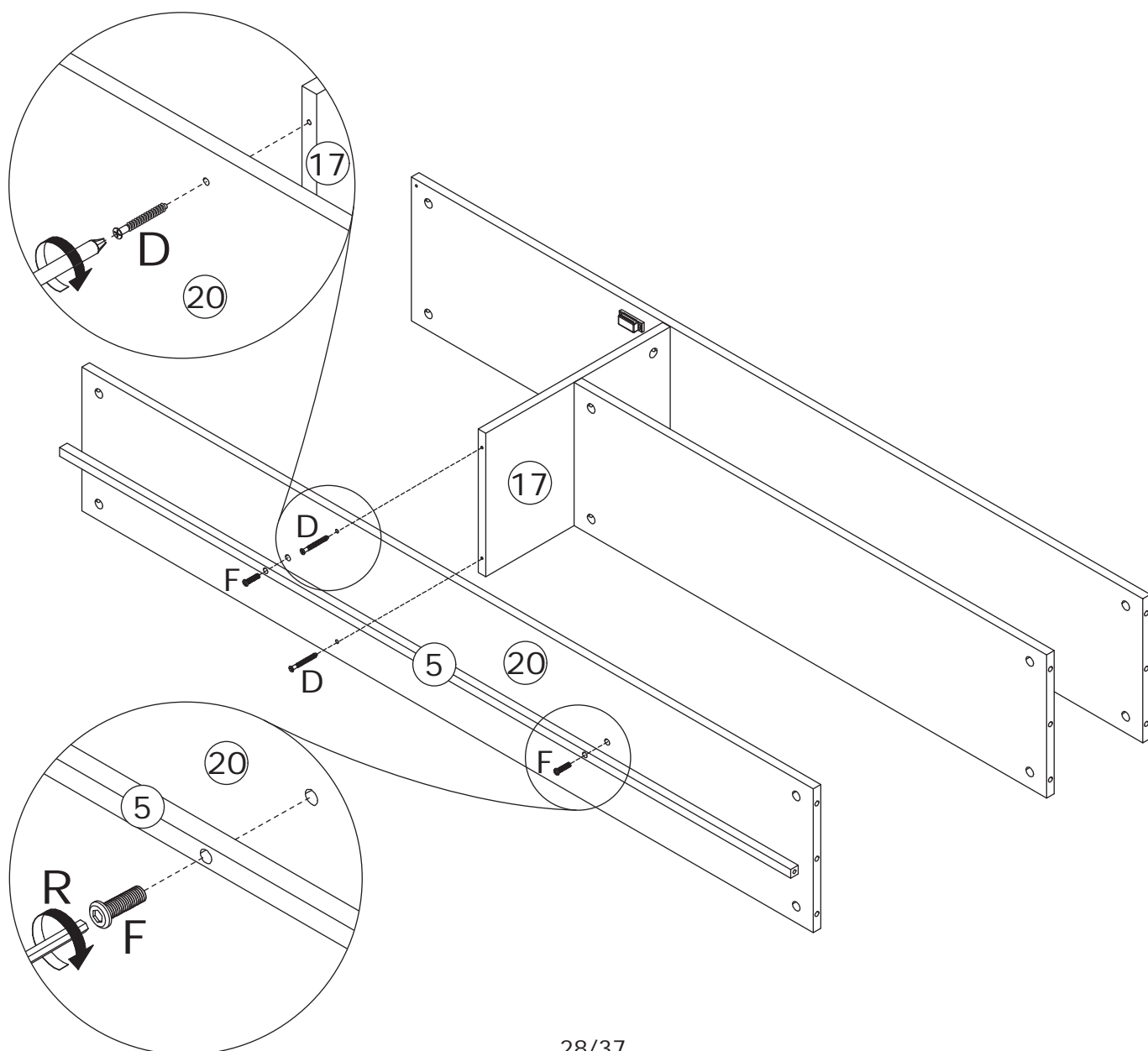
Screw eccentric rod(A) into board 17.
Attach board 21 to board 17 using wooden
dowel(C) and turn cam locks(B) clockwise
to tighten as shown.



23

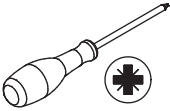


Fix board 20 to board 17 with screw(D) as shown.
Fix tube 5 to board 20 with screw(F) as shown.

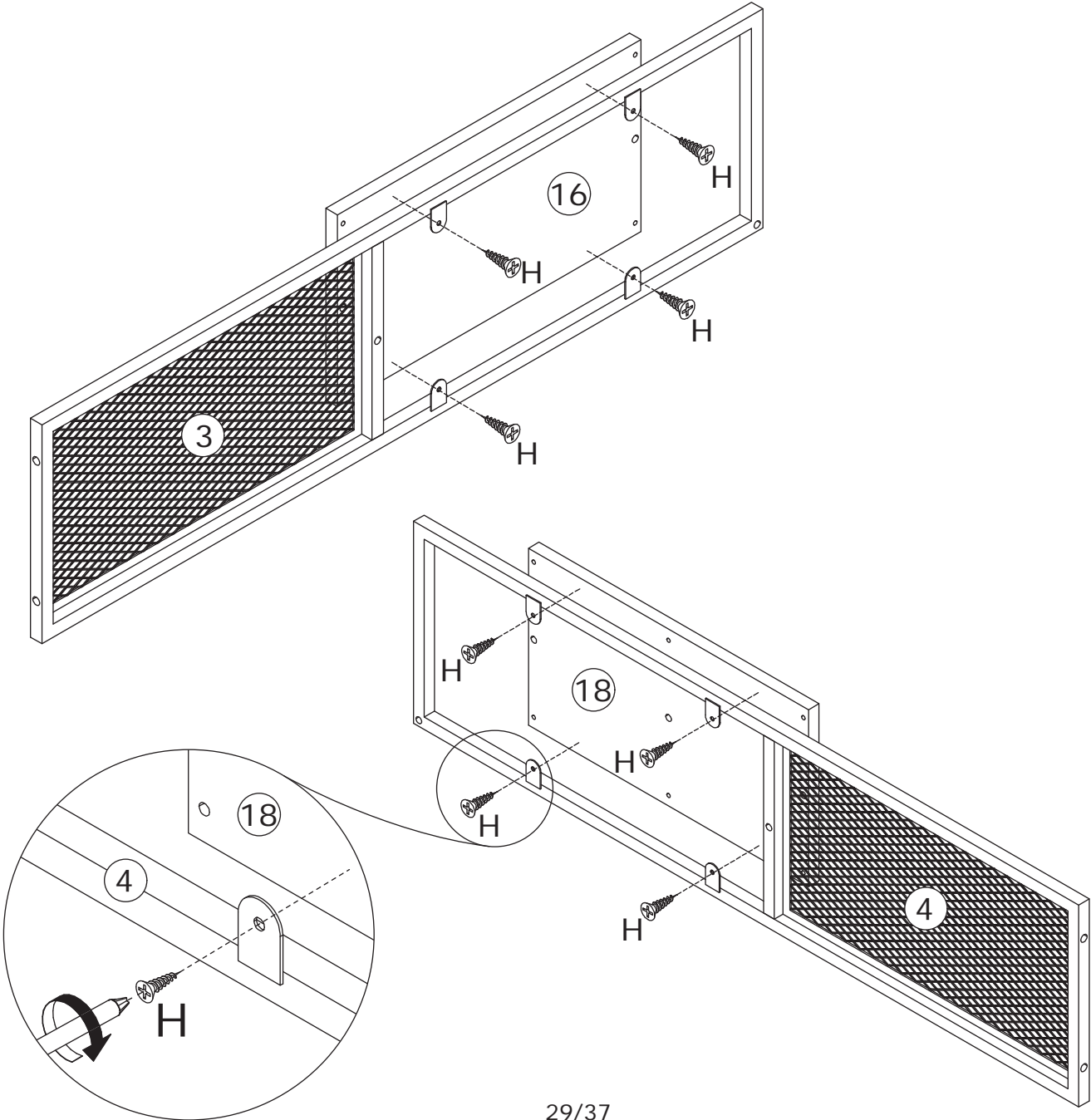


24

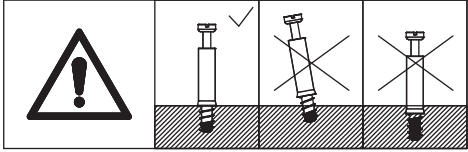
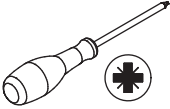
H x 8
CRD3512A



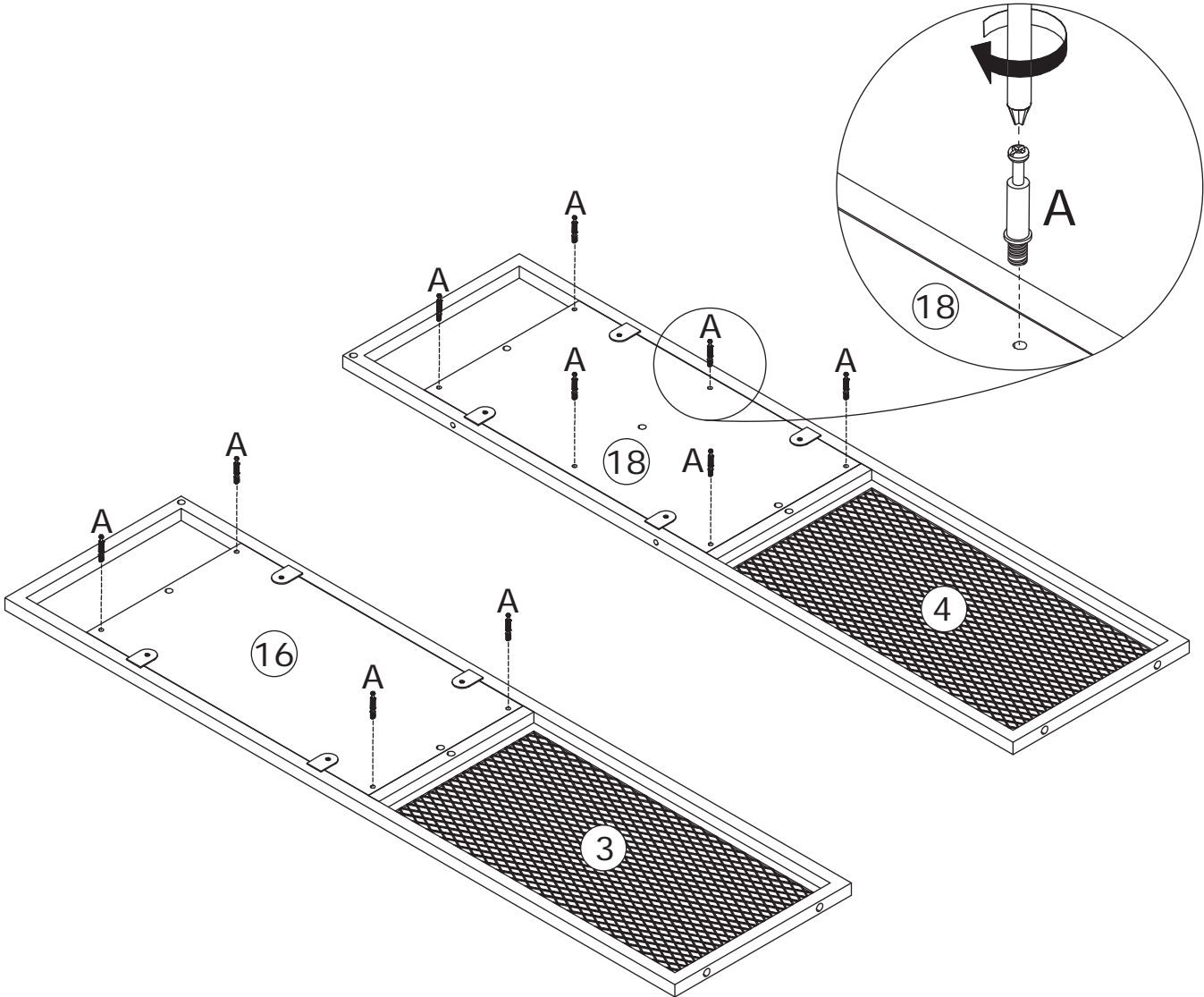
Attach board 16 to frame 3, board 18 to frame 4 with screw(H) as shown.





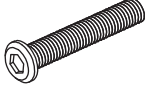
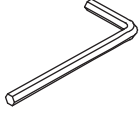
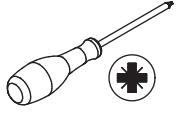
25

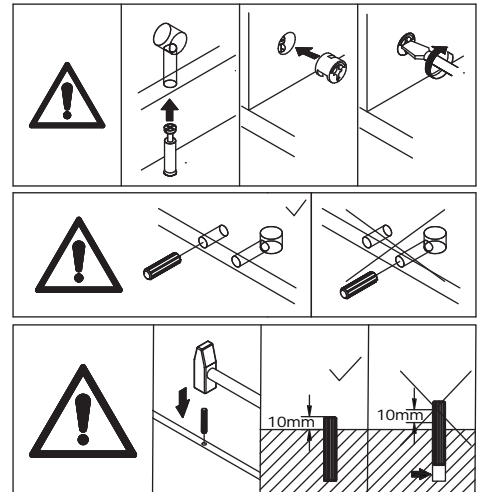


Screw eccentric rod(A) into board 16 and 18 as shown.

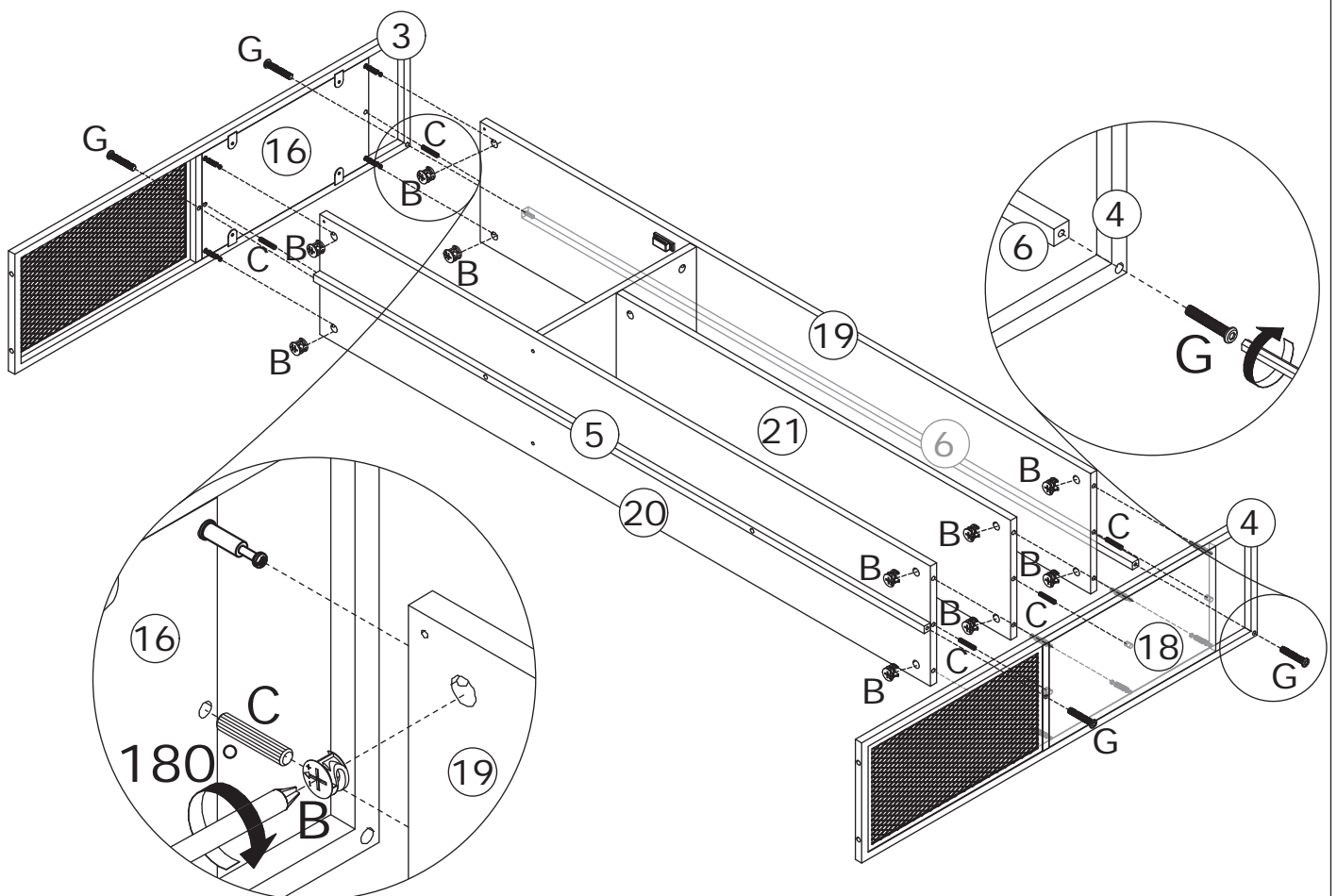


26

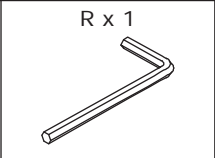
<p>B x 10</p>  <p>CRB1595A</p>	<p>C x 5</p>  <p>CRF0630A</p>	<p>G x 4</p>  <p>CRG0635A</p>	<p>R x 1</p> 	
---	--	--	---	---



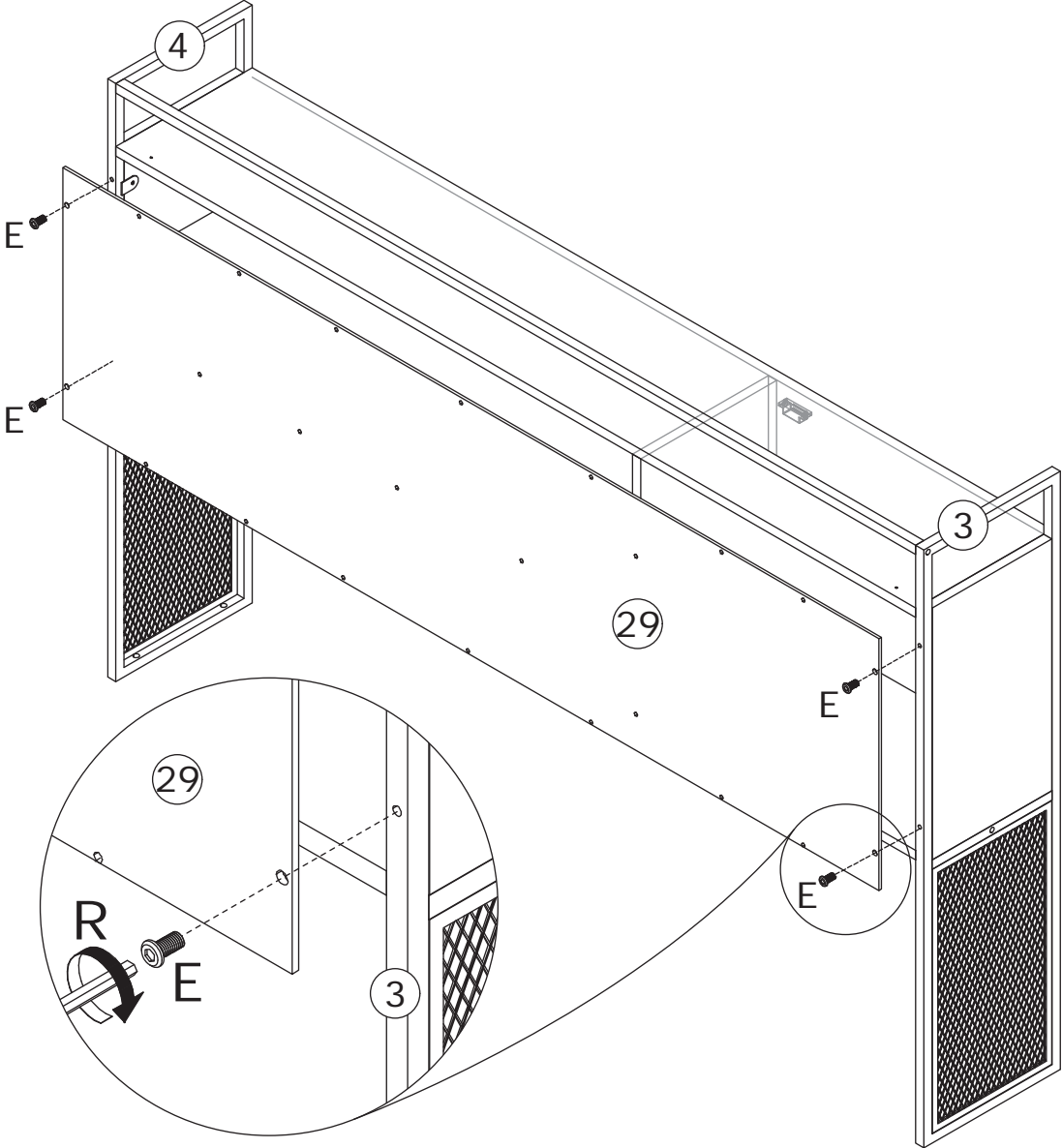
Attach board 16 and 18 to sides of the component with wooden dowel(C) and turn cam locks(B) clockwise to tighten. Fix frame 3 and 4 to tube 5 and 6 with screw(G) as shown.



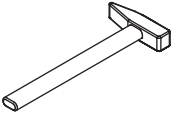
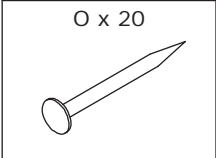
27



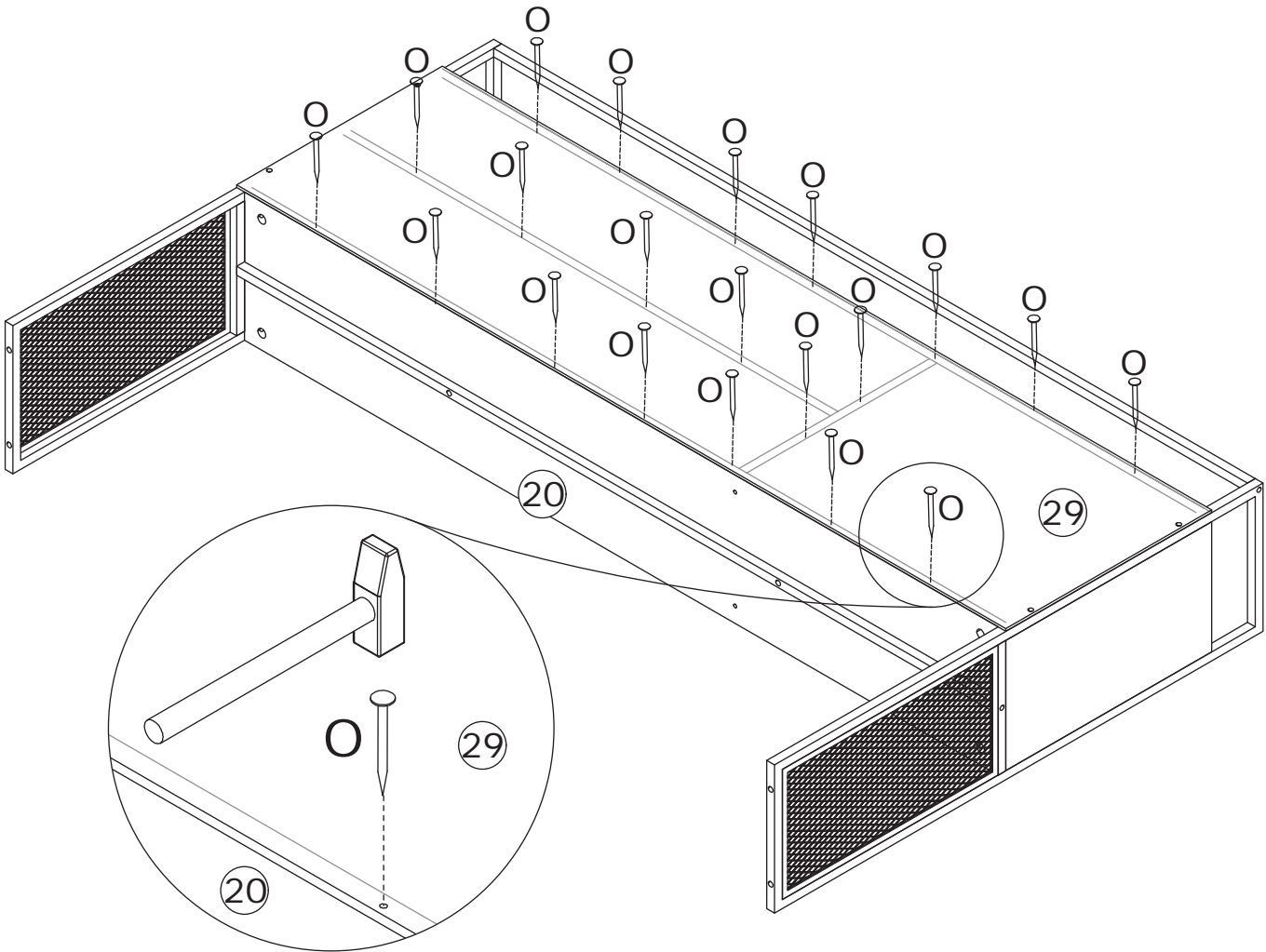
Fix back board 29 to the assembled unit with screw(E) as shown.



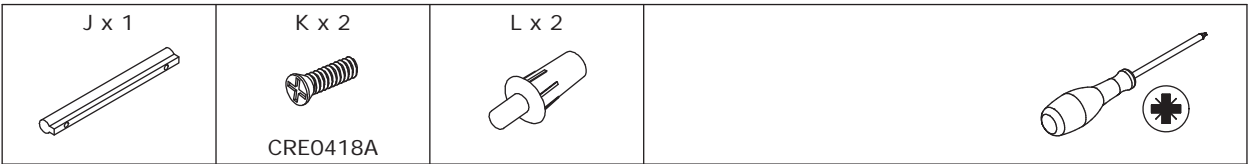
28



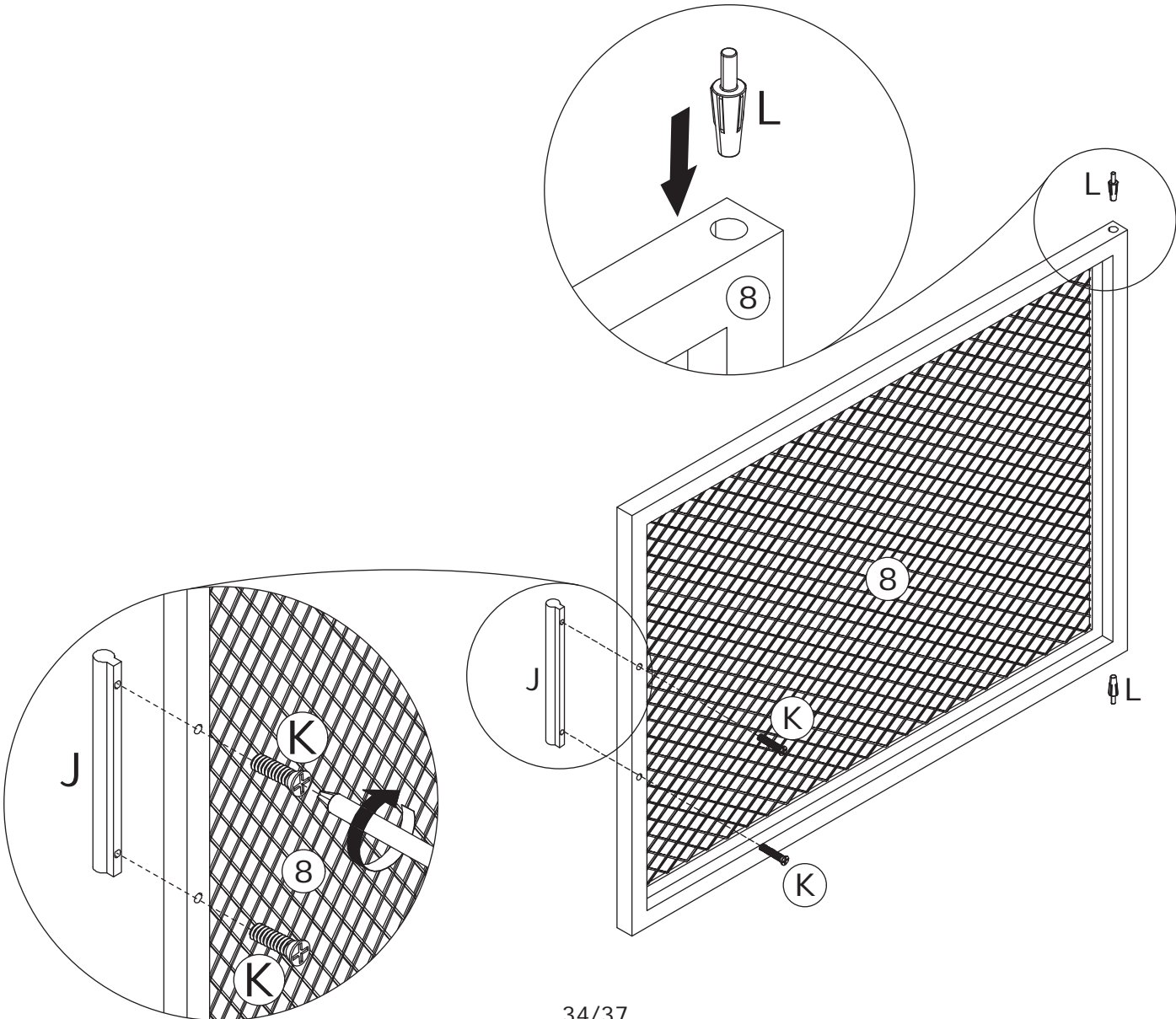
Reinforce the back boards with nail(O) as shown.



29



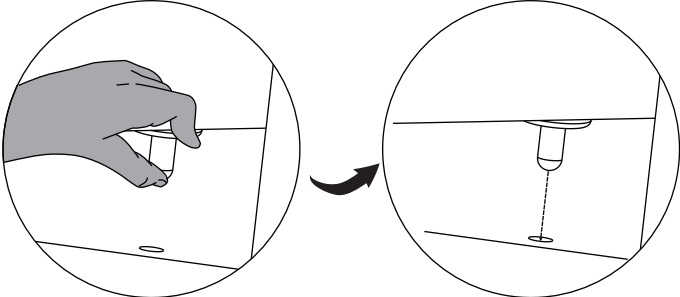
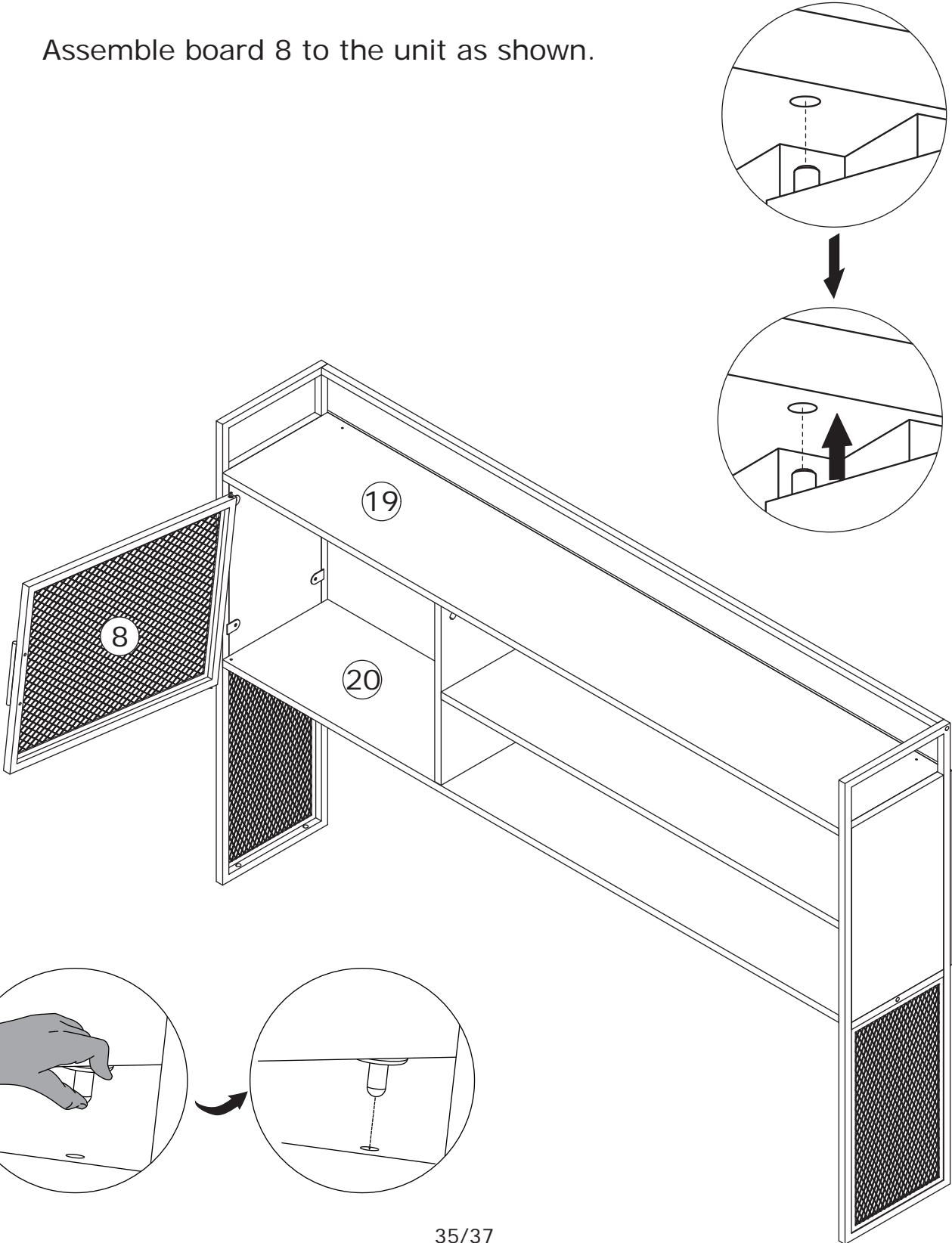
Fix handle(J) to door 8 with screw(K) as shown.
Insert part(L) into door 8 as shown.



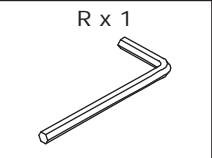
30



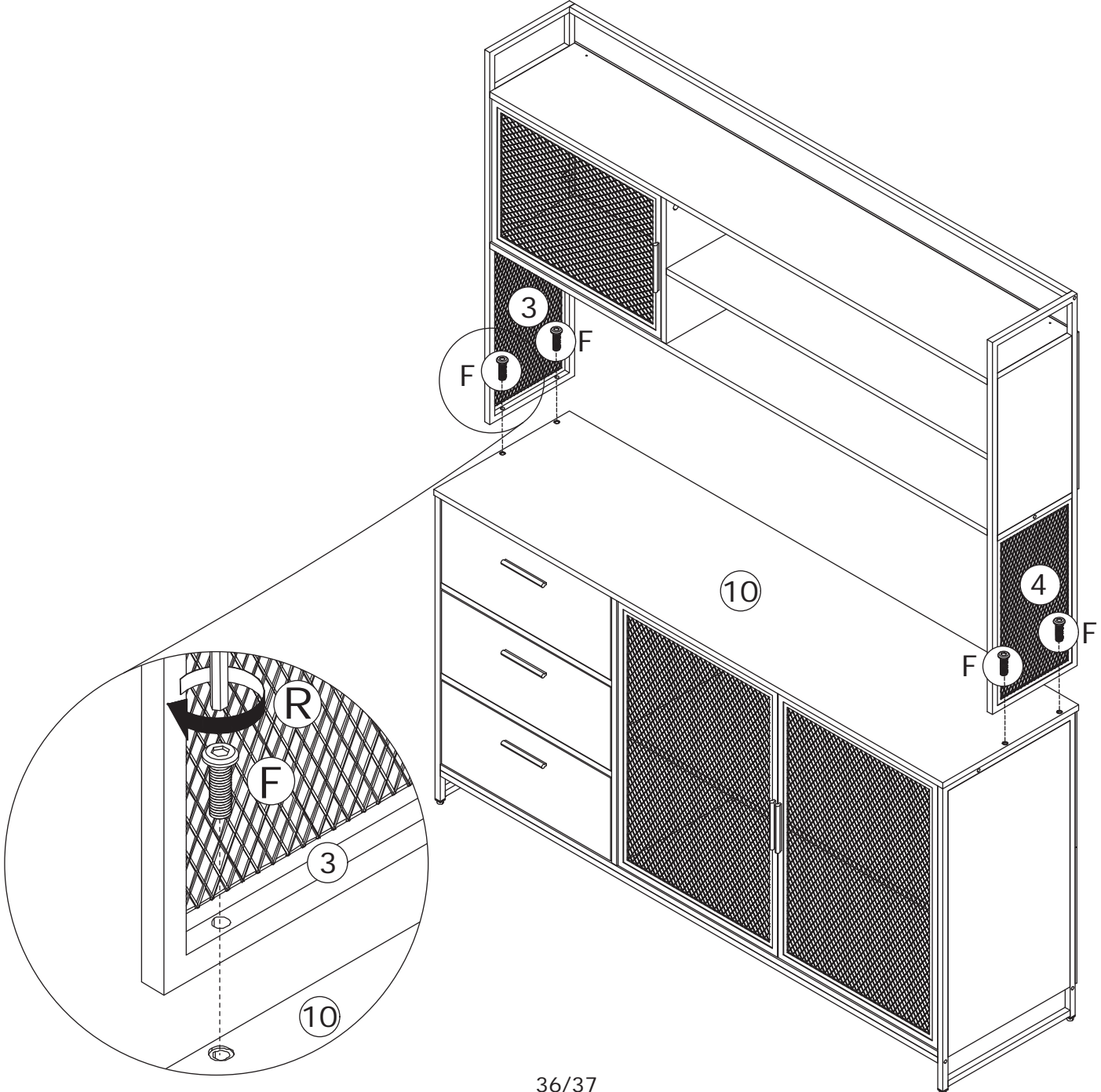
Assemble board 8 to the unit as shown.



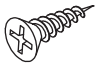
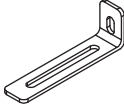
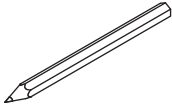
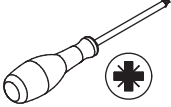
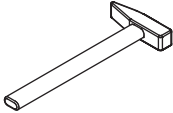

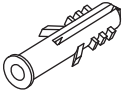
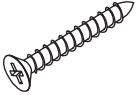
31



Connect two assembled components with screw(F) as shown.

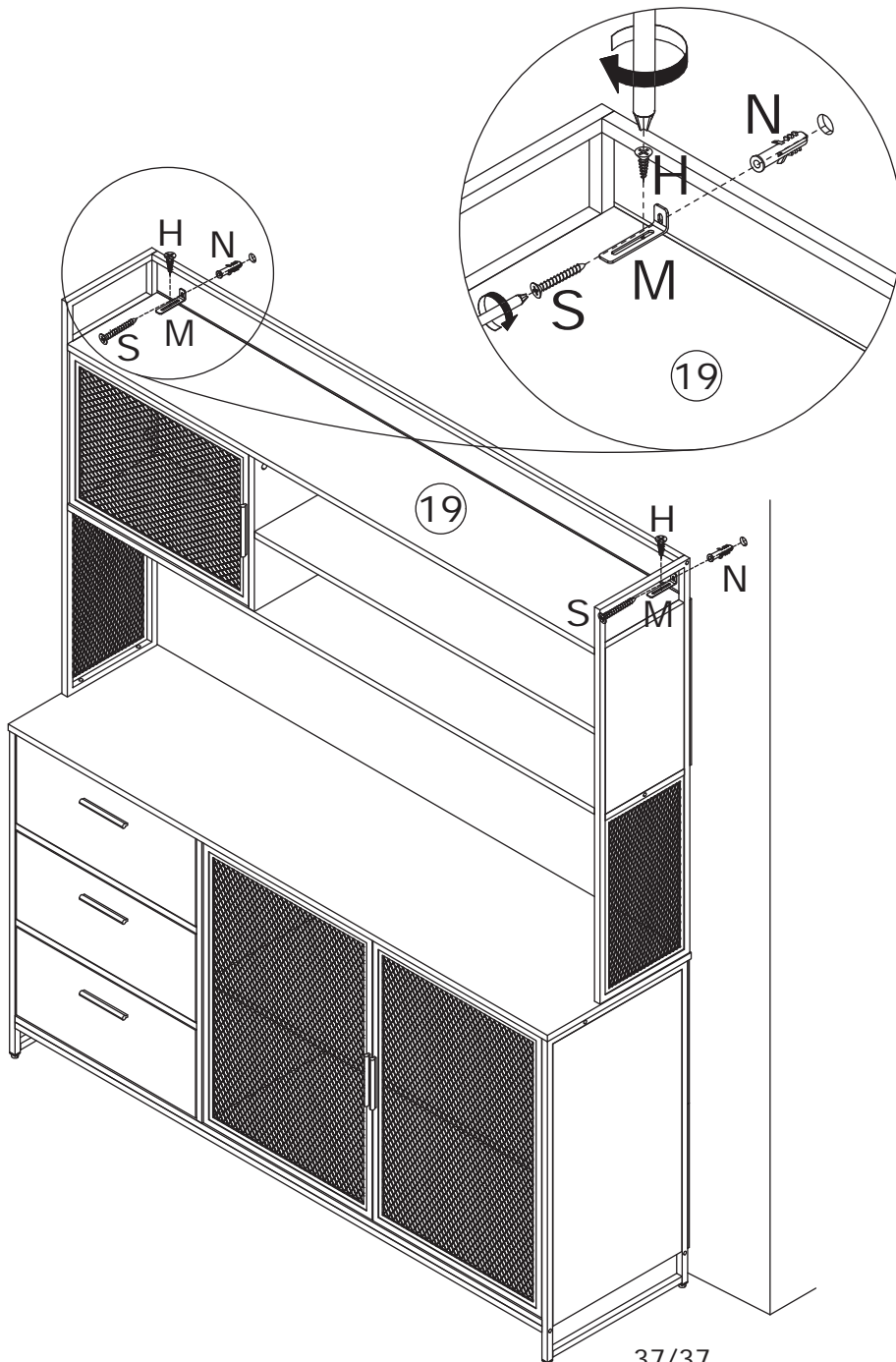


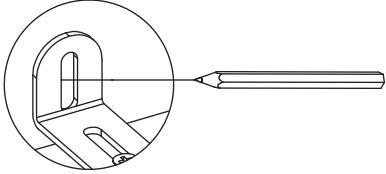
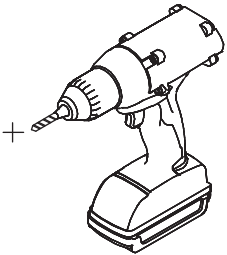
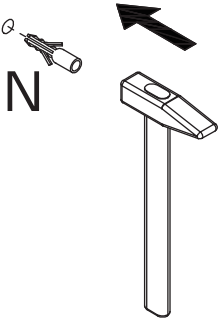
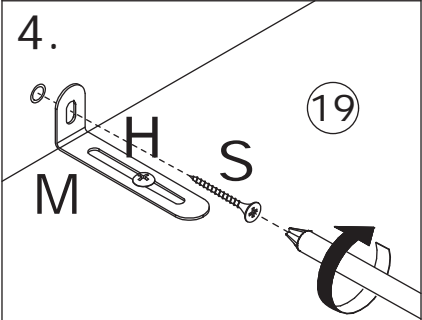
32

<p>H x 2</p>  <p>CRD3512A</p>	<p>M x 2</p> 				
<p>N x 2</p> 	<p>S x 2</p>  <p>CRD3535A</p>				

Fix part(M) to board 19 with screw(H) at first.

Fix part(N) to a proper position on your wall, fix part(M) to part(N) with screw(S) as shown.



1. 
2. 
3. 
4. 

WARRANTY

WARRANTY CLAIMS

- There is a 30-day warranty for broken furniture or any other problems that do not work properly. The warranty will start from the date of purchase which must be verified by proof of purchase.
- Before making a claim, we may be able to answer your query, simply call us. Please leave your purchase order number, along with some details of the problem, if you want a replacement part. We will arrange within 48 hours. If there is out of stock, we will reply with a shipping date.
- The product must be used in accordance with the instructions provided. For health reasons.
- For other reasons, if the furniture needs to be returned, it must be cleaned and dried and operated within 30 days of receipt.

Type of Warranty Claim

- Failure to follow the furniture instructions will invalidate the warranty. Attention please.
- Does not include damage during installation, but includes damage during transportation.

Scope of responsibility

- Shall not bear any responsibility for misuse or user damage and / or loss of parts during the installation of furniture.
- After using, the damage and scratches of the furniture are not covered by the warranty.

The Warranty Relates to All Bought in The Us and Covers The Following Areas

- Sheet parts: 1 month from the date of purchase.
- Electrical parts: 1 month from the date of purchase.

RETURNS

CHANGED YOUR MIND AND NEED TO RETURN YOU ITEM?

PLEASE FOLLOW THE BELOW INSTRUCTIONS:

- If you have purchased and have simply changed your mind, follow the retailer's instructions for returns.

DEFECTIVE ITEMS

- If your item is defective in any way, i.e. it doesn't work but you can't identify why, in the first instance, please call us.

DAMAGED ITEMS

- If you receive an order with obvious shipping damage from the retailer, then we suggest the delivery is refused. If the delivery has been accepted and then shipping damage is found, please follow the specific instructions advised by the retailer.
In all circumstances please save all packaging material and paperwork for the order. Please be aware that if you dispose of packaging material or attempt to return the merchandise without contacting the fulfiller, you jeopardise your chances of making a claim, and you may not receive a credit for the return.

AFTER-SALES CONTACT

