

# **SPEAKMAN®**

SC-7112-E

## **Installation, Maintenance & Operation Instructions**

SINGLE LABORATORY FAUCET

### **DESCRIPTION**

Speakman polished chrome plated single laboratory faucet with PERFECT® valve. Brass body. 5-1/4" spread brass gooseneck, swivel or rigid. Metal handle with white index. Vandal-resistant water conserving spray outlet device reduces flow to 0.5 GPM/1.9 LPM maximum to meet existing ASME A112.18.1/CSA B125.1 Standard. 1/2" NPSM male threaded inlet shank.

### **SPECIFICATIONS**

SUPPLY: 1/2-14 NPSM COMPRESSION COUPLING OR 1/2 COPPER SWEAT CONNECTION

FLOW RATE: 0.5 GPM/1.9 LPM MAX

SHIPPING WEIGHT: 4.14 LBS. (SC-7112)

STATIC PRESSURE: 20-80 PSI

### **INSTALLATION**

1. Install friction/seal gasket onto shank of faucet. Place faucet in hole of sink/countertop. Working from under the sink, slip cup washer or flat washer onto shank and screw locknut up on shank hand tight. Position body and wrench tighten locknut.
2. Connect water supply line to the inlet of body shank and tighten coupling nut with a wrench.
3. From above sink, install the spout. For All Swiveling Spout: Install spout assembly into the body outlet and wrench tighten spout collar nut. Do not use the spout locking washer. For Rigid Spout: Place the spout locking washer into the body outlet, install the spout assembly, position, and wrench tighten the spout collar nut.
4. Slip trim sleeve onto valve spindle. Position handle and screw onto spindle. Press index button into handle.
5. Turn water supply on and flush out faucet. Install outlet device (If applicable) and check all connections for leaks.

### **OPERATION**

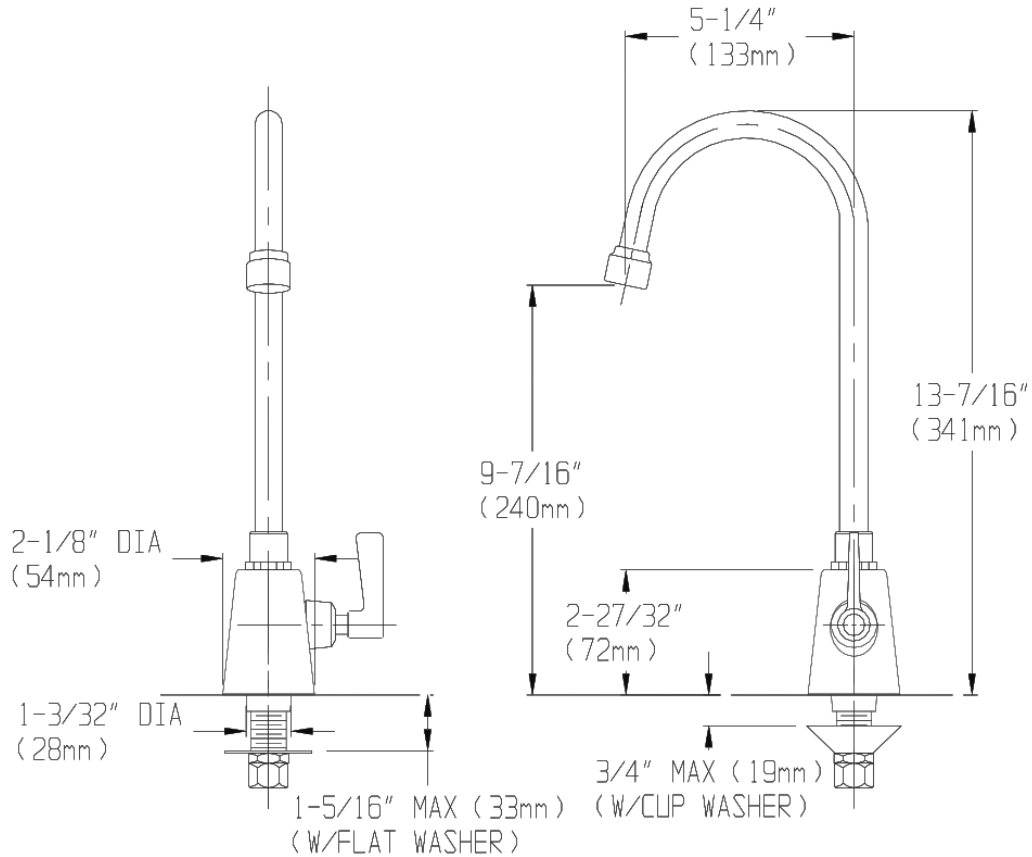
Simply rotate the handle 1/4 turn maximum to operate the laboratory faucet.

### **MAINTENANCE**

The faucet valve is washerless and requires no routine maintenance. The gleaming finish of your SPEAKMAN laboratory faucet can be cleaned by using mild soap and warm water. Dry immediately with a soft, clean cloth for best results.

**SPEAKMAN®**

## ROUGH IN DIMENSIONS



### NOTES:

- 1) ALL DIMENSIONS ARE IN INCHES (MILLIMETERS) UNLESS OTHERWISE SPECIFIED AND ARE SUBJECT TO CHANGE WITHOUT NOTICE.
- 2) INLET IS SIZED FOR EITHER COUPLING OR SWEAT CONNECTION.

## REPAIR / REPLACEMENT PARTS

PART NUMBER	DESCRIPTION
RPG18-0213-CA	STANDARD 5" SPREAD GOOSENECK ASSEMBLY
RPG38-0128-PC	0.5 GPM SPRAY OUTLET DEVICE
RPG05-0532-CA	PERFECT® VALVE GROUP (RED) W/TRIM SLEEVE AND SCREW

**SPEAKMAN®**