



Caxton™

17" oval undermount bathroom sink with glazed underside
K-2209

Features

- Oval basin with unglazed underside
- Overflow drain
- No faucet holes; requires wall- or counter-mount faucet

Material

- Vitreous china

Installation

- Undermount

Recommended Products/Accessories

- K-23726 Drain treatment
- K-23725 Cast iron cleaner



ADA **CSA B651**

Codes/Standards




- ASME A112.19.2/CSA B45.1
- ADA
- ICC/ANSI A117.1
- CSA B651

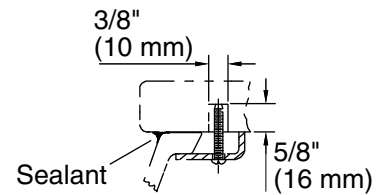
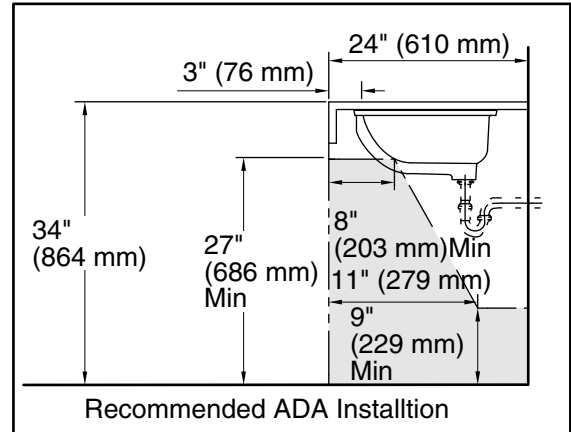
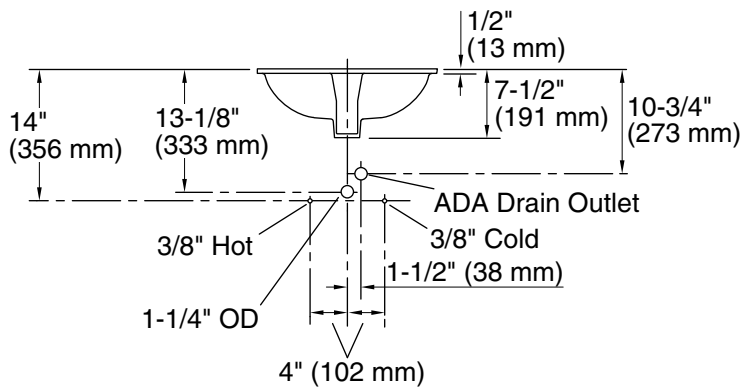
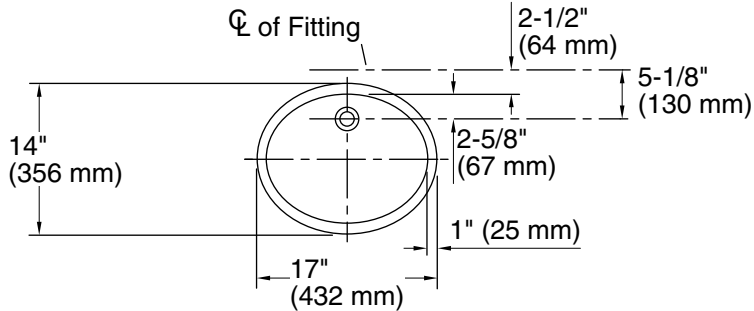
KOHLER® One-Year Limited Warranty

See website for detailed warranty information.

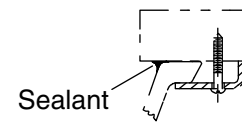
Available Colors/Finishes

Color tiles intended for reference only.

Color	Code	Description
	0	White
	96	Biscuit
	7	Black Black™



Marble Installation



Wood Installation

Technical Information

All product dimensions are nominal.

Installation:	Undermount
Bowl area:	Length: 15-1/4" (387 mm) Width: 12-1/4" (311 mm) Bowl depth: 5-3/4" (146 mm) With overflow: Yes Water depth: 4" (102 mm)
With overflow:	Yes
Drain hole:	1-3/4" (44 mm)
Template:	85838-7, required, not included

Notes

Install this product according to the installation instructions.

NOTICE: Countertop manufacturer or cutter must use the current product template available at www.kohler.com, or by calling 1-800-4KOHLER. Kohler Co. is not responsible for cutout errors when the incorrect cutout template is used.

ADA, CSA B651 compliant when installed to the specific requirements of these regulations.