

### Features

- Glass.
- Under-mount.
- Oval basin with concentric ring styling.
- Without overflow.
- No faucet holes; requires wall- or counter-mount faucet.
- 19" (483 mm) x 16-1/8" (410 mm) x 5-3/8" (137 mm)

### Recommended Accessories

- K- 7107 Decorative Drain
- K- 7108 Decorative Drain
- K- 7129 Drain
- K- 9018 P-Trap

### Components

Additional included component/s: Hardware kit, and drain gasket kit.



ADA

CSA B651

OBC

### Codes/Standards

CSA B45.11/IAPMO Z401  
ADA  
ICC/ANSI A117.1  
CSA B651  
OBC


### KOHLER® One-Year Limited Warranty

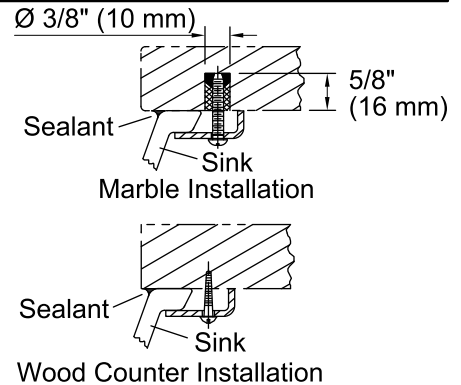
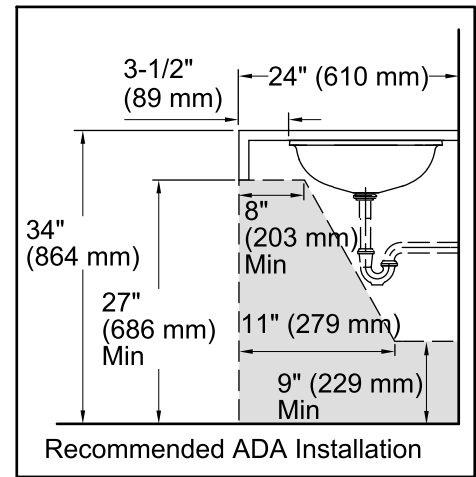
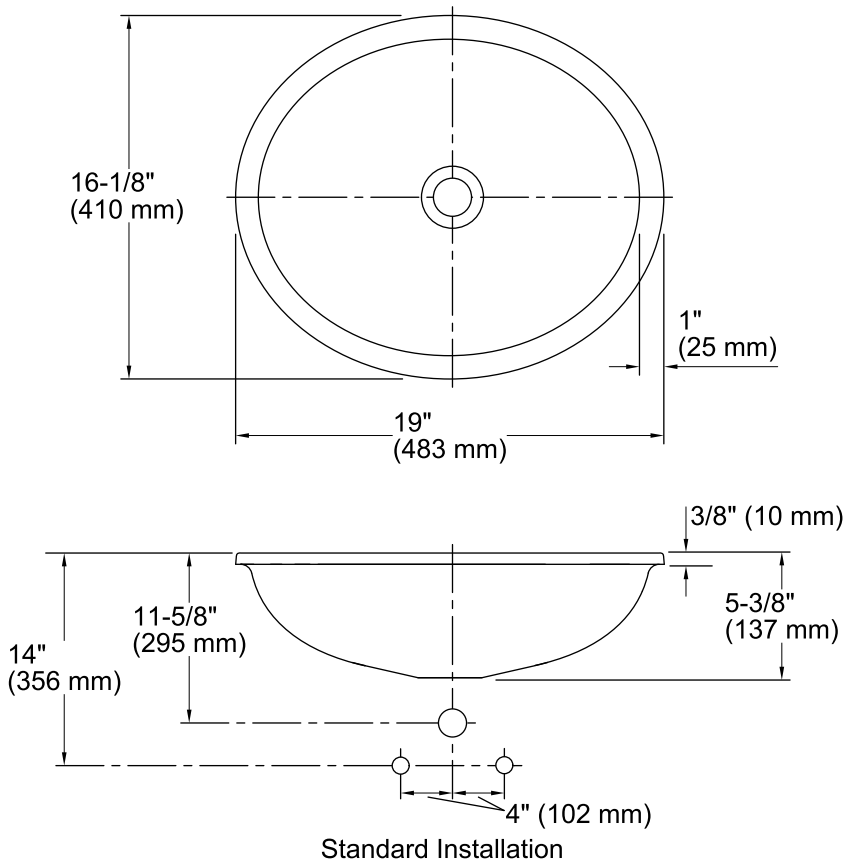
See website for detailed warranty information.

### Available Color/Finishes

*Color tiles intended for reference only.*

Color	Code	Description
-------	------	-------------

	B11	Ice
--	-----	-----



### Technical Information

All product dimensions are nominal.

Bowl configuration:	Single
Installation:	Under-mount
Bowl area (Only)	Length: 17-3/16" (437 mm) Width: 14-3/16" (360 mm) Water depth: 4-3/4" (121 mm)
Drain hole:	1-3/4" (44 mm)
Template:	Under-mount, 1151011-7, required, included

### Notes

Install this product according to the installation guide.

Product does not have an overflow.

**NOTICE:** Countertop manufacturer or cutter must use the cut-out template provided with the product, or a current one provided by Kohler Co. (call 1-800-4-KOHLER). Kohler Co. is not responsible for cutout errors when the incorrect cut-out template is used.

ADA, OBC, CSA B651 compliant when installed to the specific requirements of these regulations.