

## VEVOR Post Base: Elevating Safety and Style in Every Step!



Sturdy and Durable



Easy Installation



Dual-Purpose Screws

Made of robust carbon steel material, this product is durable, rust-resistant, and wear-resistant, providing stable support. With a wide range of accessories, it can be easily installed on various types of surfaces.

## DURABLE MATERIAL FOR LONG-LASTING USE



Carbon Steel Material

Wall Thickness Of 0.06"/1.6mm For Robust Durability



Surface Spray Coating

Rust Prevention And Wear Resistance

The connector base is designed with a fully enclosed structure, ensuring stable support for the railing without any wobbling, thus providing safety protection for the usage area.



**SIMPLE 2-STEP,  
EFFORTLESS  
INSTALLATION**

Drill holes in the ground and install the base.

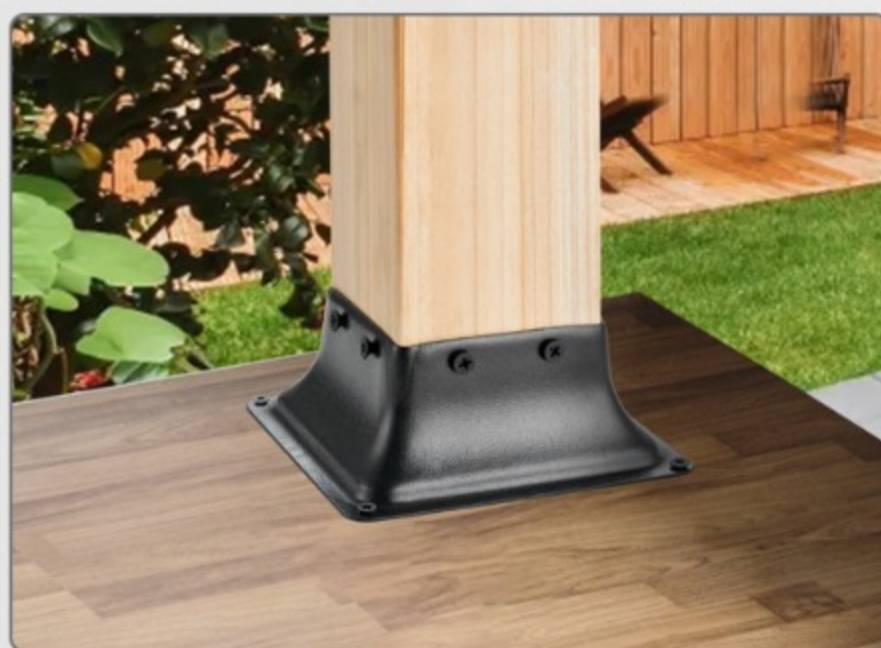
Insert the post into sleeve and secure with screws.

The base is crafted from Made from sturdy carbon steel material with a surface spray coating, it is wear-resistant, rust-resistant, and has a long lifespan.

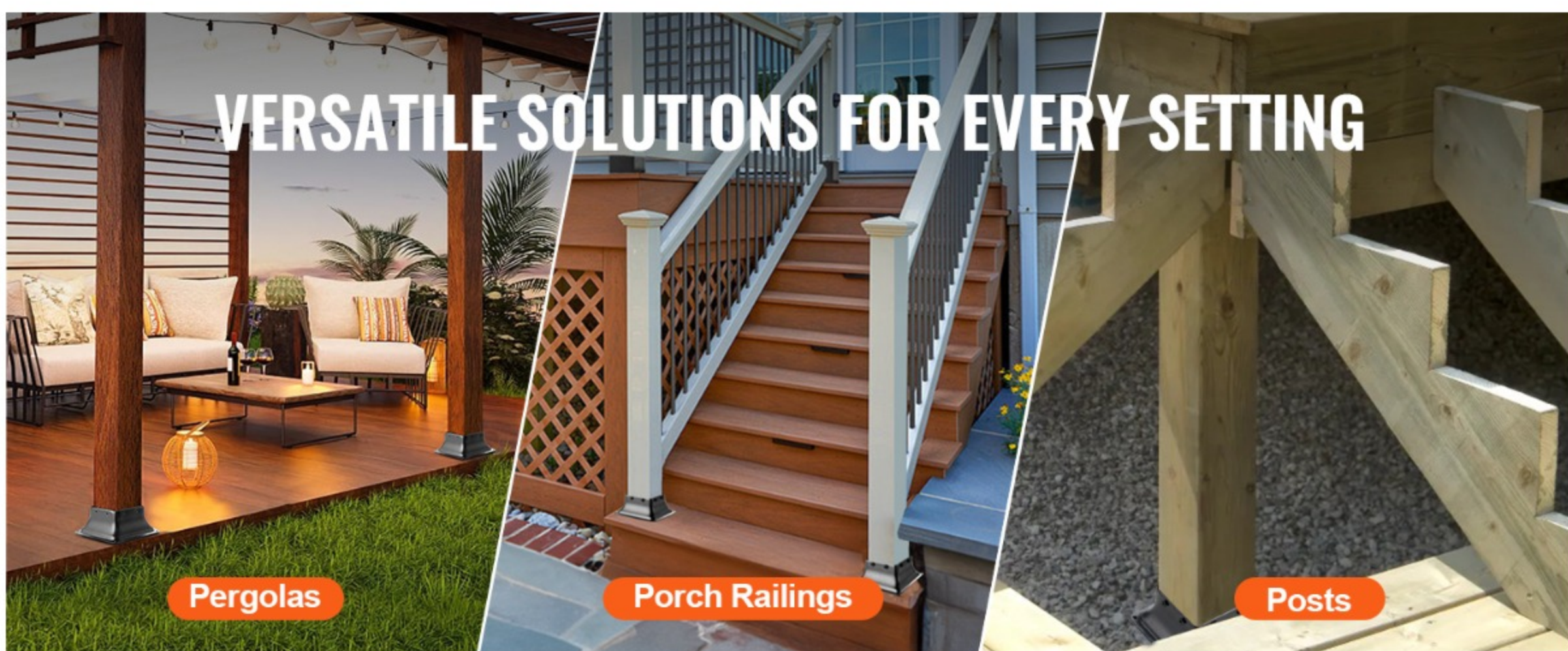
## COMPLETE ACCESSORY SET FOR VERSATILE INSTALLATION

Yellowfish Expansion Sleeves x 44

Black Self-Tapping Screws x 130



Installations are made easy by using a drill for hole preparation, and the post anchor base comes with pre-made screw holes, allowing for simple assembly.

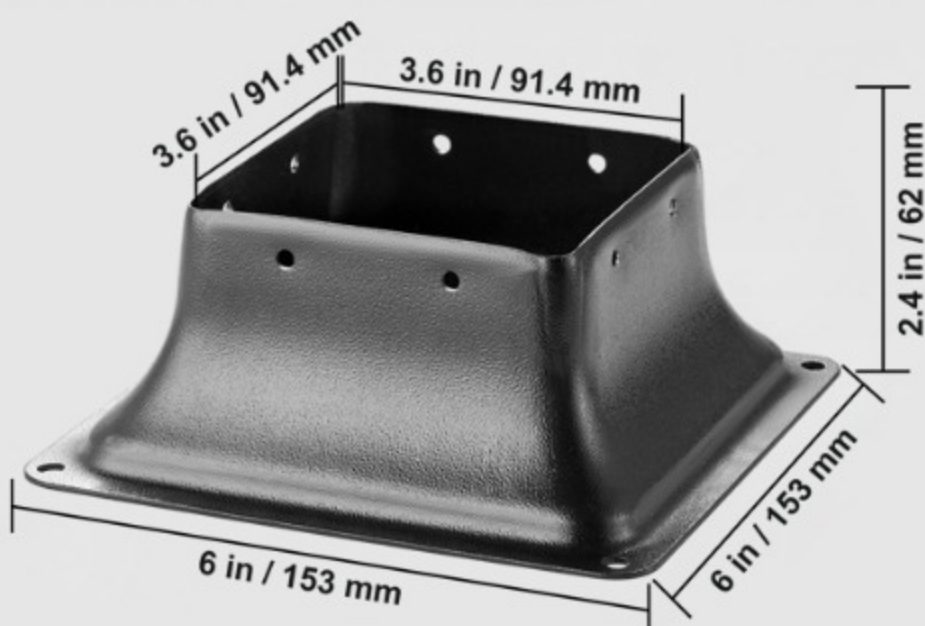


Pergolas

Porch Railings

Posts

With a wide range of accessories, the post footing base can be installed and used on both cement and wooden floors.



Model: TTLZ-4in-10

Quantity: 10pcs

Main Material: Carbon Steel

Net Weight: 9lbs/4.1kg

Internal Dimensions: 3.6"x3.6"

Product Dimensions (per piece):

Suitable Wood Post Sizes: 4"x4" 6x6x2.4in / 153x153x62mm

Recommended Wood Post Dimensions: 3.5"x3.5"