

## Features

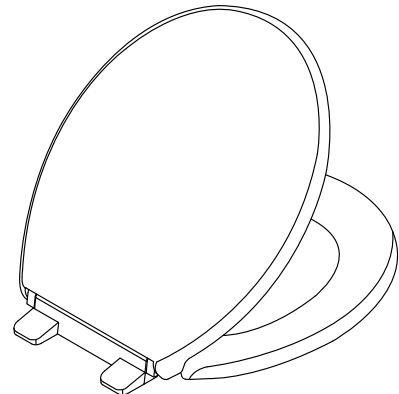
- Round closed-front seat.
- Grip-Tight bumpers hold seat firmly in place.
- Quick-Release™ hinges allow seat to be unlatched from toilet for easy removal and convenient cleaning; no tools required.
- Color-matched plastic hinges.
- Contoured seat for user comfort.
- For residential use only.
- For non-residential application, use K-7673 or K-20111.

## Material

- Plastic.

## Installation

- Quick-Attach® hardware for fast and secure installation.



## Codes/Standards

None Applicable

## KOHLER® One-Year Limited Warranty

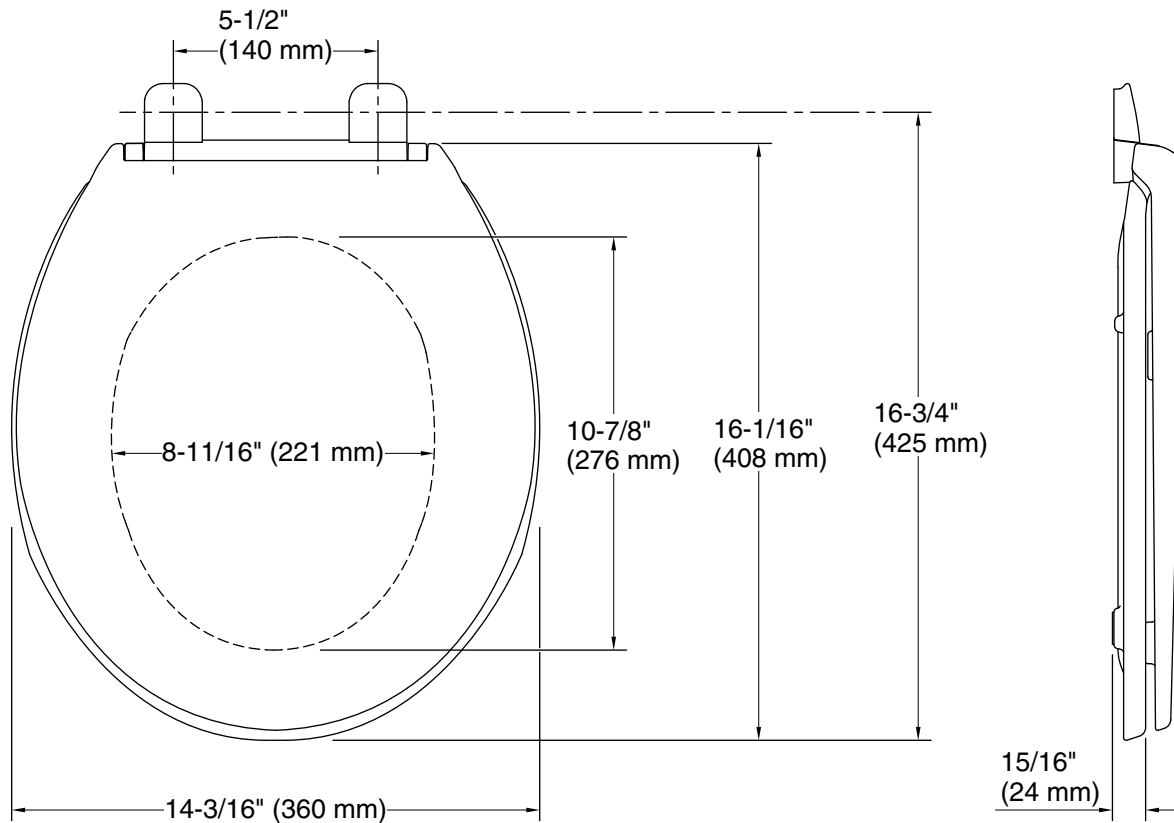
See website for detailed warranty information.

## Available Colors/Finishes

*Color tiles intended for reference only.*

Color	Code	Description
-------	------	-------------

	0	White
--	---	-------



### Technical Information

All product dimensions are nominal.

Seat shape type: Round-front

Seat front type: Closed-front

Seat-mounting holes: 5-1/2" (140 mm)

### Notes

Install this product according to the installation instructions.