

### Features

- Vitreous china
- Undercounter
- Includes 52047 clamp assembly
- 18-1/4" (46.4 cm) x 14-1/2" (36.8 cm)

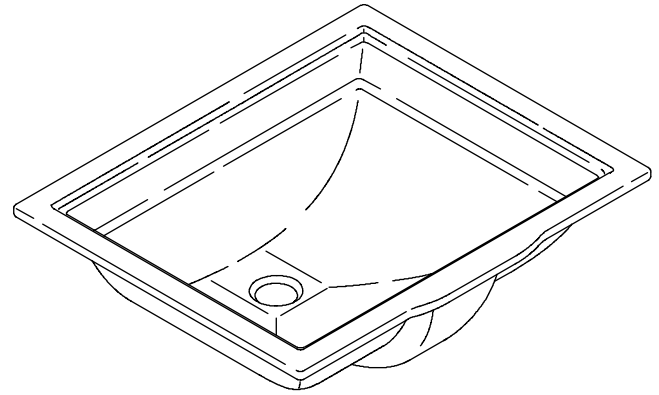
## UNDERCOUNTER LAVATORY K-2339

ADA

### Codes/Standards Applicable

Specified model meets or exceeds the following:

- ASME A112.19.2
- IAPMO/UPC
- Canadian Standards Association (CSA)



### Colors/Finishes

- 0: White
- Other: Refer to Price Book for additional colors/finishes

### Accessories:

- CP: Polished Chrome
- Other: Refer to Price Book for additional colors/finishes

### Specified Model

Model	Description	Colors/Finishes	
K-2339	18-1/4" (46.4 cm) x 14-1/2" (36.8 cm) Lavatory	<input type="checkbox"/> 0 White	<input type="checkbox"/> Other_____
Recommended Accessory			
K-9018	P-Trap	<input type="checkbox"/> CP	<input type="checkbox"/> Other_____

### Product Specification

The undercounter lavatory shall be 18-1/4" (46.4 cm) in length, and 14-1/2" (36.8 cm) in width. Lavatory shall be made of vitreous china. Lavatory shall include 52047 clamp assembly. Lavatory shall be Kohler Model K-2339-\_\_\_\_\_.

# MEMOIRS™

## Technical Information

Fixture:*		basin area	water depth
Lavatory		18-1/4" (46.4 cm) x 14-1/2" (36.8 cm)	5-3/16" (13.2 cm)
Drain hole	1-3/4" D. (4.4cm)		

\* Approximate measurements for comparison only.

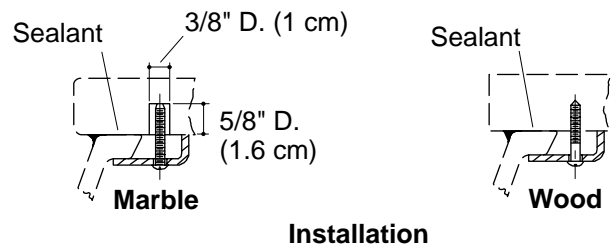
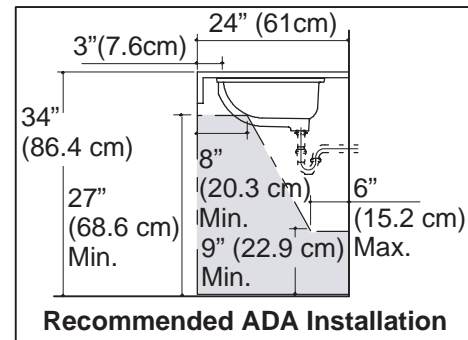
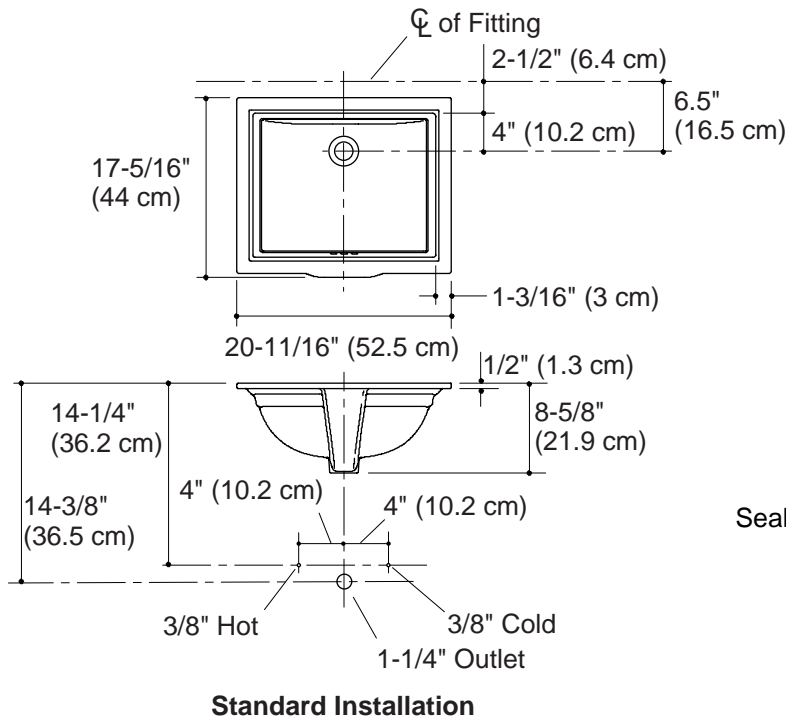
Included Components:	
Basin clamp assembly	52047
Cutout template	1031348-7

## Installation Notes

Install this product according to the installation guide.

Supplied basin clamp assemblies require 1" (2.5 cm) minimum countertop thickness. Installer must supply anchors for thinner countertops.

**NOTICE:** Countertop manufacturer or cutter must use the cutout template provided with the product, or a current one provided by Kohler (call 1-800-4-KOHLER). Kohler is not responsible for cutout errors when incorrect cutout template is used.



## Product Diagram