

Features

- A perfect complement to our Artifacts suite of products.
- Versatile design that features a frosted shade surrounded by a clear glass shade.
- For a vintage look, remove the optional frosted glass and add any E26 medium-base Edison bulb (sold separately).
- For soft lighting, use an E26 medium-base type B light bulb with the frosted shade (bulb sold separately).
- A 10' cord offers many height options.

Material

- Manufactured with quality materials and complemented with a meticulous finishing process.
- Durable finishes engineered to last and designed to match KOHLER faucet finishes.

Recommended Products/Accessories

K-23723 Faucet cleaner

Included Components

Additional Components:
Installation hardware



Codes/Standards

UL 1598
CSA C22.2 No. 250

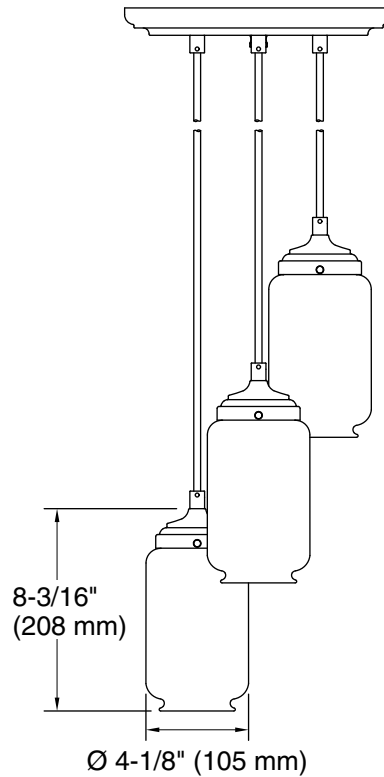
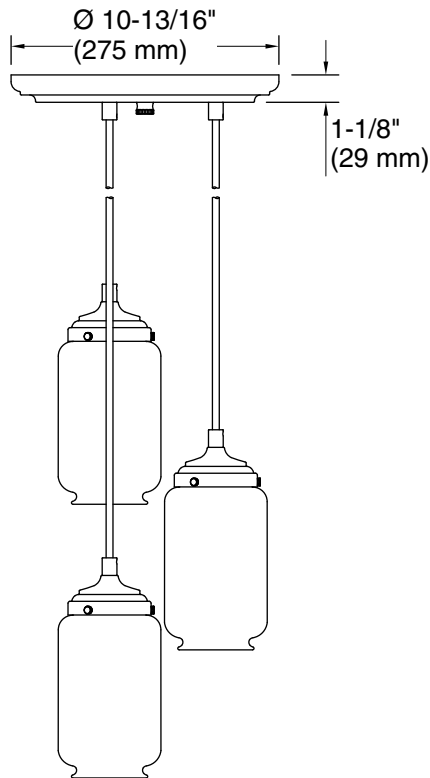
KOHLER® Lighting Limited Warranty

See website for detailed warranty information.

Available Colors/Finishes

Color tiles intended for reference only.

| Color | Code | Description |
|--|------|----------------------|
|  | SNL | Polished Nickel |
|  | BGL | Moderne Brushed Gold |
|  | BZL | Oil-Rubbed Bronze |
|  | CPL | Polished Chrome |



Required Electrical Service

One circuit required.

Lights: 120 V, 60 Hz

Technical Information

All product dimensions are nominal.

Installation Type: Ceiling-mount

Material: Brass

Number of Lights: 3

Lighting Type: Socket-based

Socket Type: E-26 Medium

Number of Shades: 3

Shade Type: Glass - frosted, Glass - clear

Hanging Type: Cord

Height: $26\text{-}3/8''$ (671 mm) - $146\text{-}3/8''$ (3719 mm)

Electrical component rating: Socket Rating: 60 Hz, 40 W, 800 Lumens, 3000K