

Item #1006596139, 1006596130, 1006867788, 1006867920, 1006867826,  
1007256872, 1007256888, 1007256894, 1007256914, 1007256908, 1010065867, 1009821253  
Model # SB30, SB36, VSB24, VSB30, VSB36, SB30-G, SB36-G, VSB24-G, VSB30-G, VSB36-G, ADA-SB36, SB33

# HAMPTON BAY®

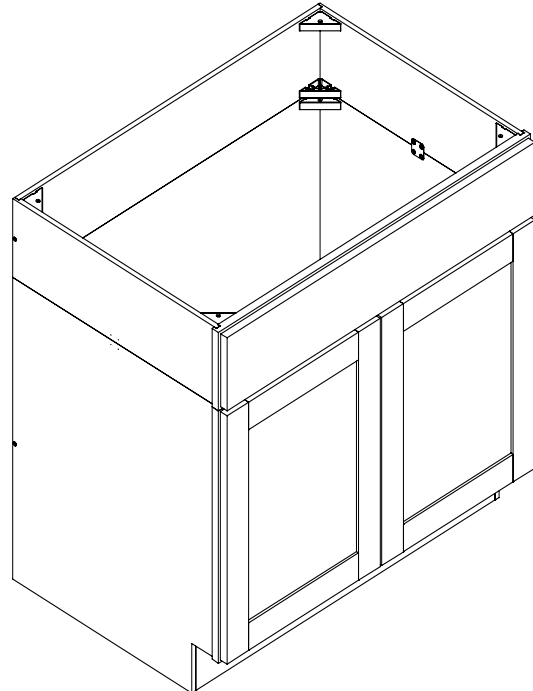
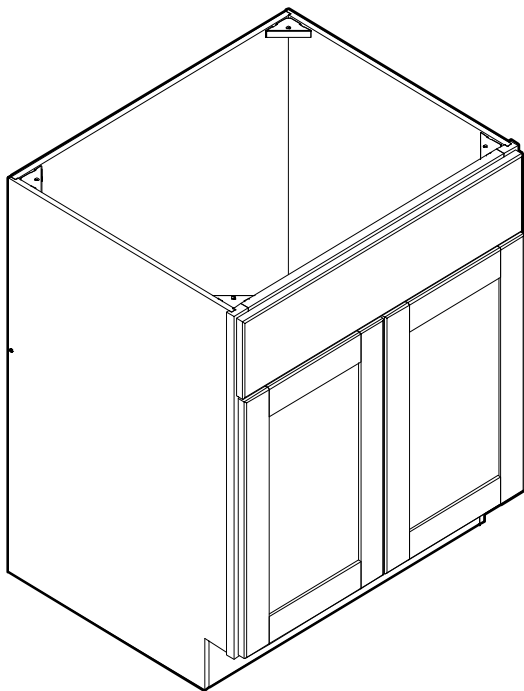
## USE AND CARE GUIDE

---

**SINK BASE CABINET**

**&**

**ADA BASE CABINET**



Questions, problems, missing parts? Before returning to the store,  
call Hampton Bay Customer Service  
8 a.m. – 7 p.m., EST, Monday – Friday, 9 a.m. – 6 p.m., EST, Saturday

**1-855-HD-HAMPTON**

**HAMPTONBAY.COM**

---

### **THANK YOU**

*We appreciate the trust and confidence you have placed in Hampton Bay through the purchase of this [PRODUCT]. We strive to continually create quality products designed to enhance your home. Visit us online to see our full line of products available for your home improvement needs. Thank you for choosing Hampton Bay!*

# Table of Contents


**Safety Information** .....2  
**Warranty** .....2  
**Pre-Assembly** .....3  
    Before You Begin .....3  
    Tools required .....3  
    Hardware Included .....3  
    Package Contents .....4

**Cabinet Assembly** .....5  
**Cabinet Assembly for Top Part of ADA Base** ..... 12  
**Care and Cleaning** ..... 15

# Safety Information

Please read and understand these instructions before you begin this assembly.

## CALIFORNA RESIDENTS

 **WARNING:** This product can expose you to chemicals including Formaldehyde (GAS), which is [are] known to the State of California to cause cancer. For more information go to [WWW.P65Warnings.ca.gov/products](http://WWW.P65Warnings.ca.gov/products).

## MINNESOTA RESIDENTS

### IMPORTANT HEALTH NOTICE

SOME OF THE BUILDING MATERIALS USED IN THIS HOME (OR THESE BUILDING MATERIALS) EMIT FORMALDEHYDE. EYE, NOSE, AND THROAT IRRITATION, HEADACHE, NAUSEA AND A VARIETY OF ASTHMA-LIKE SYMPTOMS, INCLUDING SHORTNESS OF BREATH, HAVE BEEN REPORTED AS A RESULT OF FORMALDEHYDE EXPOSURE. ELDERLY PERSONS AND YOUNG CHILDREN, AS WELL AS ANYONE WITH A HISTORY OF ASTHMA, ALLERGIES, OR LUNG PROBLEMS, MAY BE AT GREATER RISK. RESEARCH IS CONTINUING ON THE POSSIBLE LONG-TERM EFFECTS OF EPOSURE TO FORMALDEHYDE.

REDUCE VANTILTION MAY ALLOW FORMALDEHYDE AND OTHER CONTAMINANTS TO ACCUMULATE IN THE INDOOR AIR. HIGH INDOOR TEMPERTURES AND HUMIDITY RAISE FORMALDEHYDE LEVELS. WHEN A HOME IS TO BE LOCATED IN AREAS SUBJECT TO EXTREME SUMMER TEMPERATURES, AN AIR-CONDITIONING SYSTEM CAN BE USED TO CONTROL INDOOR TEMPERATURE LEVELS. OTHER MEANS OF CONTROLLED MACHANICAL VENTILATION CAN BE USED TO REDUCE LEVELS OF FORMALDEHYDE AND OTHER INDOOR AIR CONTAMINANTS.

IF YOU HAVE ANY QUESTIONS REGARDING THE HEALTH EFFECTS OF FORMALDEHYDE, CONSULT YOUR DOCTOR OR LOCAL HEALTH DEPARTMENT.

# Warranty

Contact the Customer Service Team at 1-855-HD-HAMPTON or visit [www. Hamptonbay.com](http://www.Hamptonbay.com).

# Pre-Assembly

## BEFORE YOU BEGIN

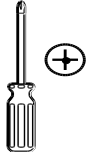
Compare all parts with the Hardware Included and Package Contents sections. If any part is missing or damaged, do not assemble this product. Contact Customer Service.

Assemble the cabinet on a soft surface such as carpet or the cardboard container of this product.

## TOOLS REQUIRED




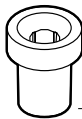
Rubber mallet



Phillips screwdriver

## HARDWARE INCLUDED

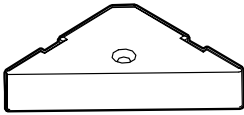
 **NOTE:** Hardware not shown to actual size.



AA



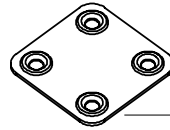
BB



CC



DD



EE



FF

### Hardware list for Bottom Cabinet

\* Extras quantity is based upon your cabinet size.

Part	Description	Quantity
AA	Posts	16
BB	#8 x 1 in. Screws (yellow)	26
CC	Corner locks	8
DD	Silicone Pads	4

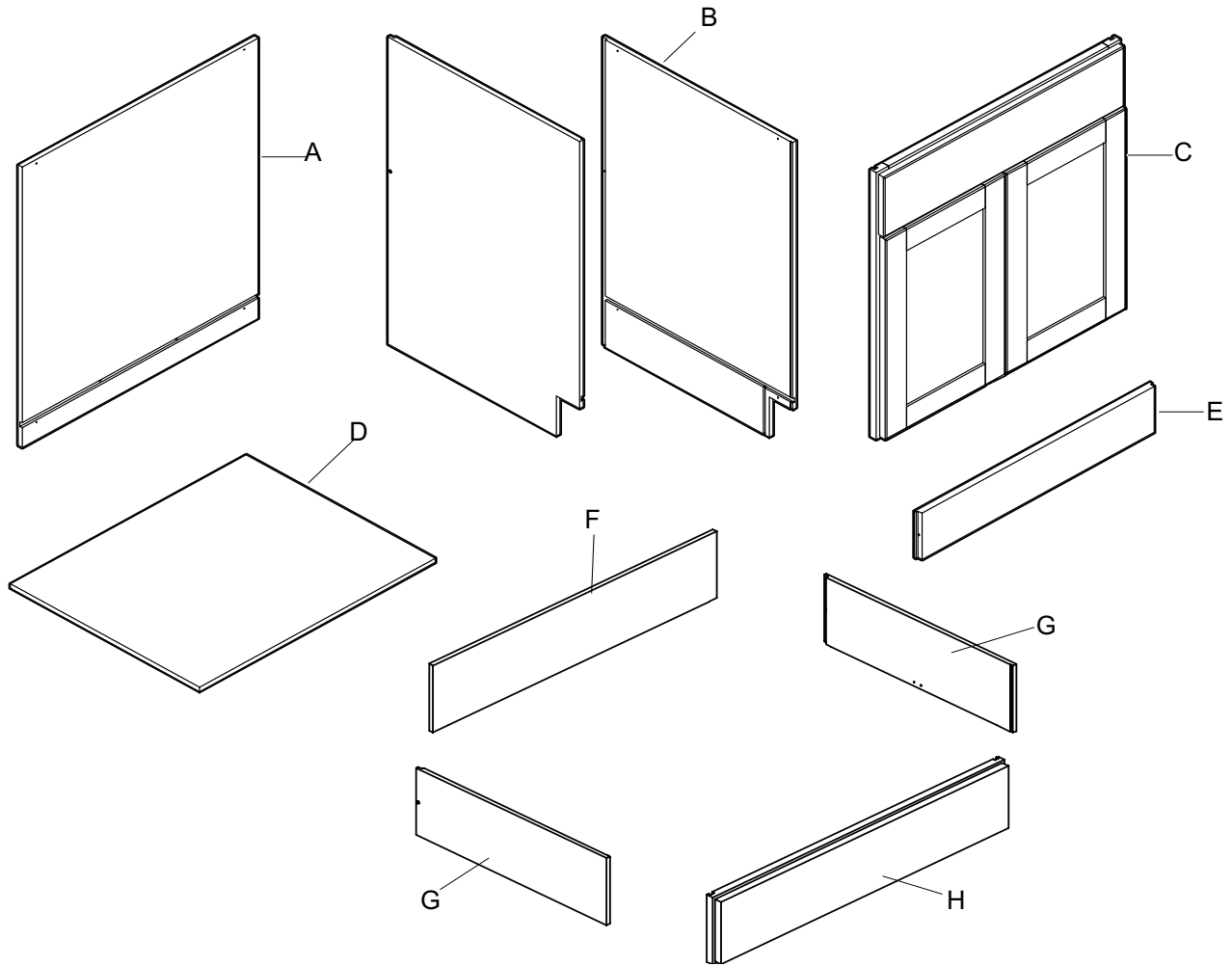
### Hardware list for Top Cabinet

\* Extras quantity is based upon your cabinet size.

AA	Posts	16
BB	#8 x 1 in. Screws (yellow)	18
CC	Corner locks	8
EE	Metal plate	3
FF	#8 x 1/2 in. Screws (yellow)	12

# Pre-Assembly

## PACKAGE CONTENTS



### Bottom Cabinet

Part	Description	Quantity
A	Back Panel	1
B	Side Panel	2
C	Face Frame	1
D	Bottom Panel	1
E	Toe Kick	1

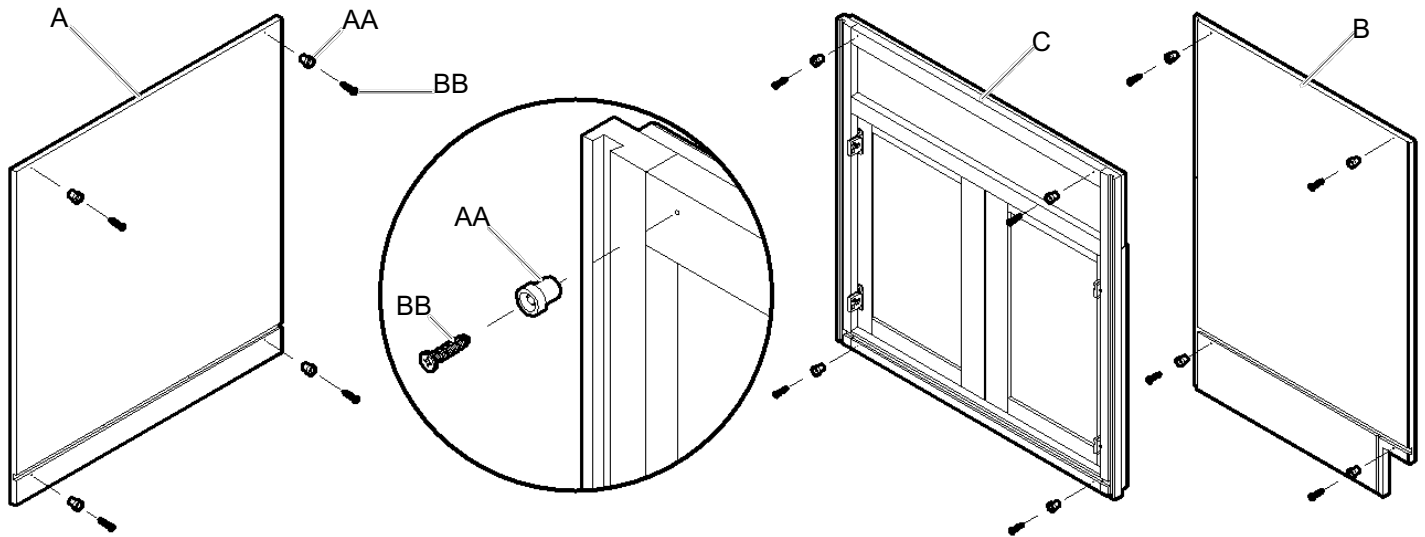
### Top Cabinet

F	Small Back Panel	1
G	Small Side Panel	2
H	Front Frame	1

# Cabinet Assembly

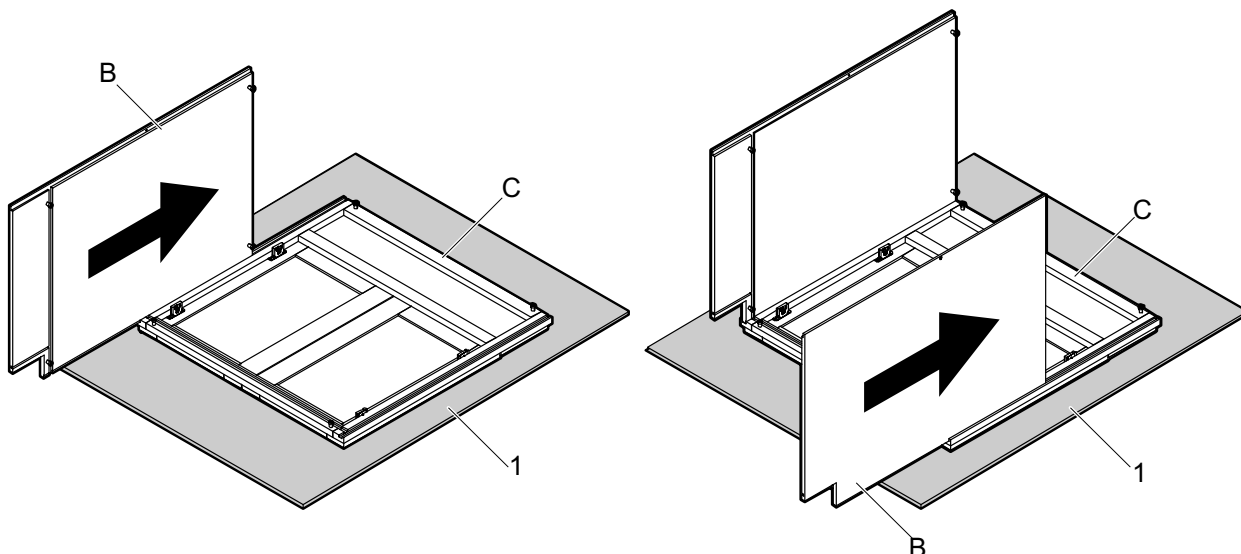
## 1 Attaching the posts to the panels

- Align 4 posts (AA) with pre-drilled holes on each of the panels and frame (A – B – C) and secure with 4 screws (BB) on each panel and frame (A – B – C).



## 2 Attaching the side panels into the face frame

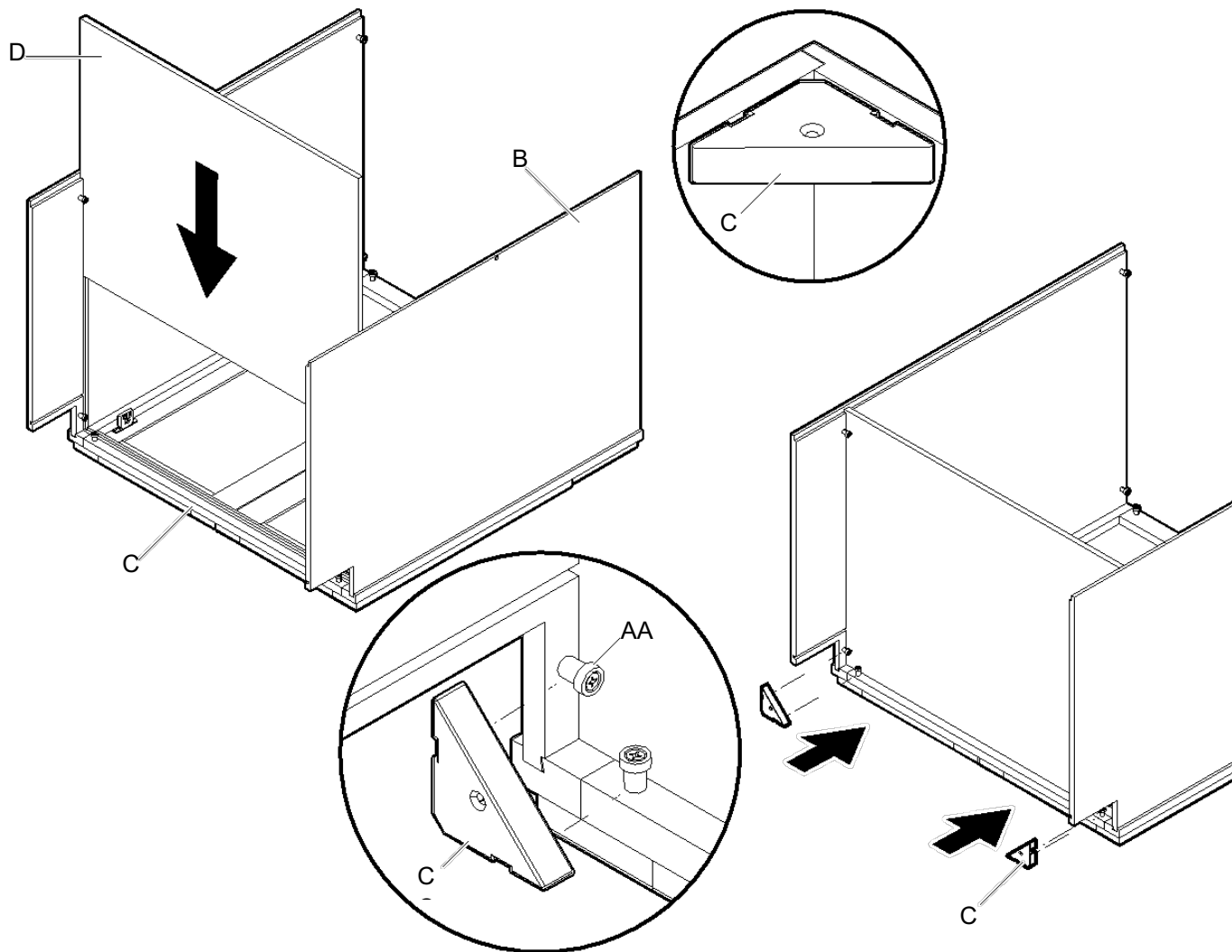
- Start by placing the face frame (C) flat on a smooth surface that will not scratch or damage the face of the cabinet, such as a towel or piece of cardboard (1) from the packaging. Slide the two side panels (B) into the mating grooves on the face frame (C).



## Cabinet Assembly (continued)

### 3 Attaching the bottom panel

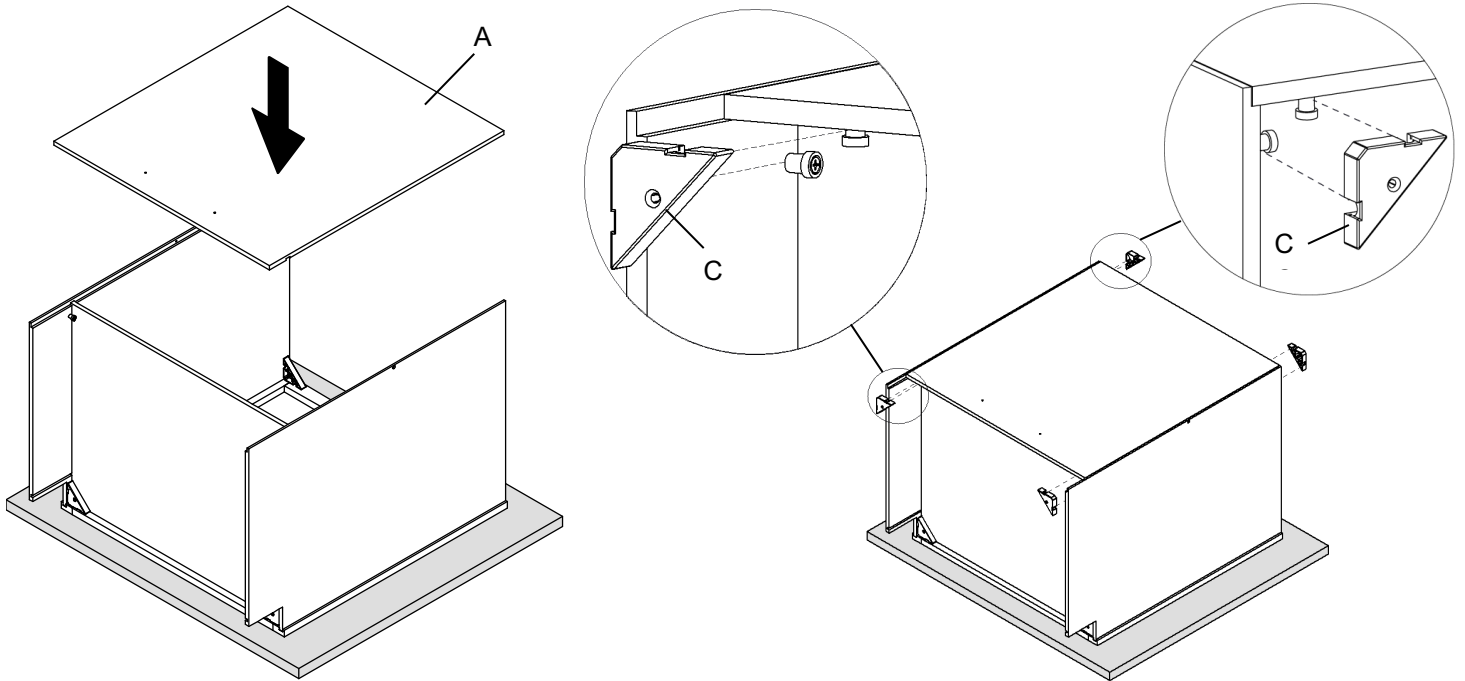
- Slide the bottom (D) panels into grooves in the sides.
- Snap 4 corner locks (CC) over the posts to secure the face frame (C) and side panels (B) as shown (two corner locks (CC) on the bottom and two on the top).



# Cabinet Assembly (continued)

## 4 Attaching the back panel

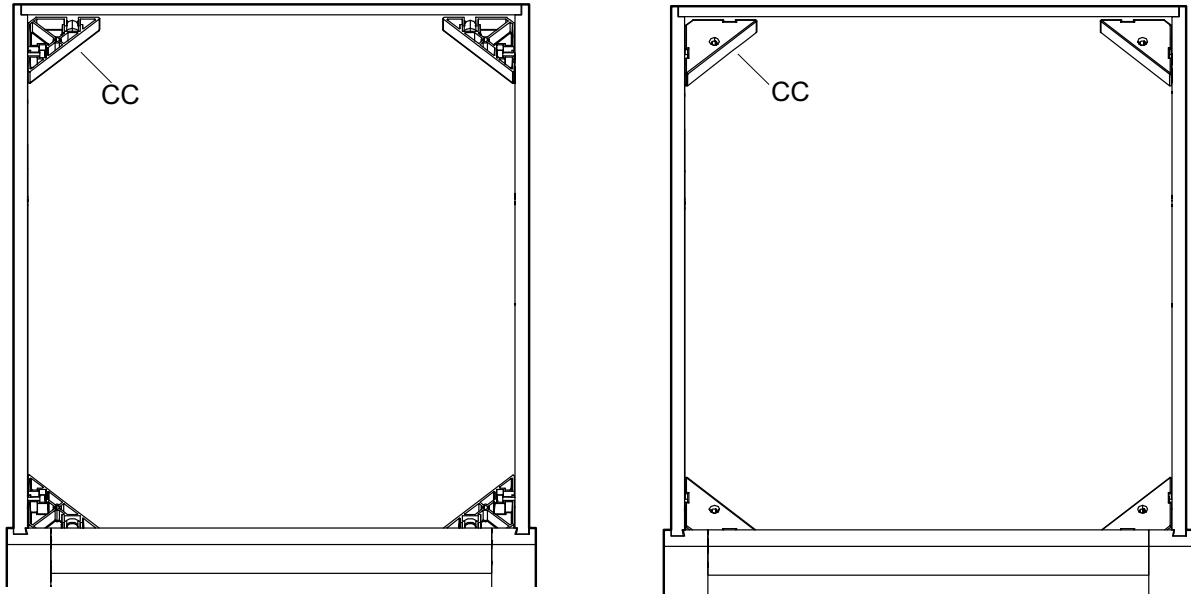
- Install the back panel (A) and attach the 4 remaining corner locks (CC), as shown.



**NOTE:** If installing on a laminate countertop, orient the top corner locks (CC) in the opposite direction. Bottom corner lock assembly will be the same for all countertop types.

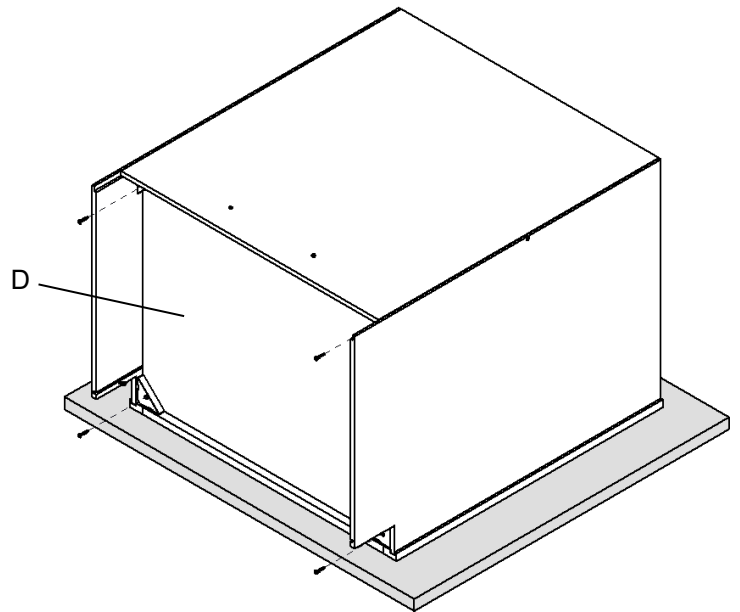
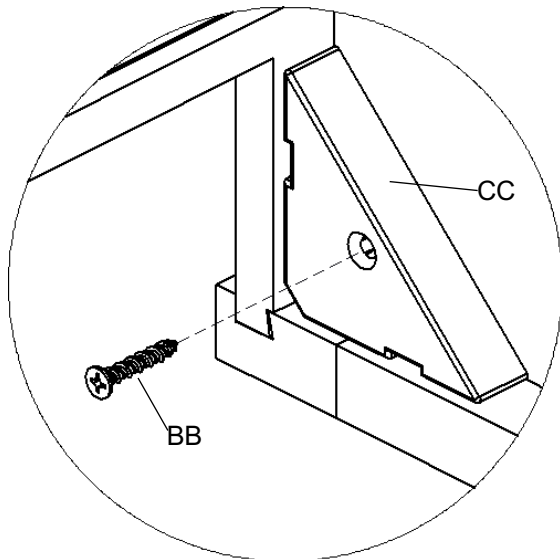
- If installing a laminate countertop, the top four corner locks (CC) should be oriented as shown below. From inside of the cabinet, screw through the corner locks (CC) into the bottom of the countertop to secure into place.
- For all other countertop types, the top four corner locks (CC) should look like this.

## Cabinet Assembly (continued)



### 5 Securing the bottom corner locks

- Insert screws (BB) through the holes in the bottom four corner locks (CC), and screw into the bottom panel (D).

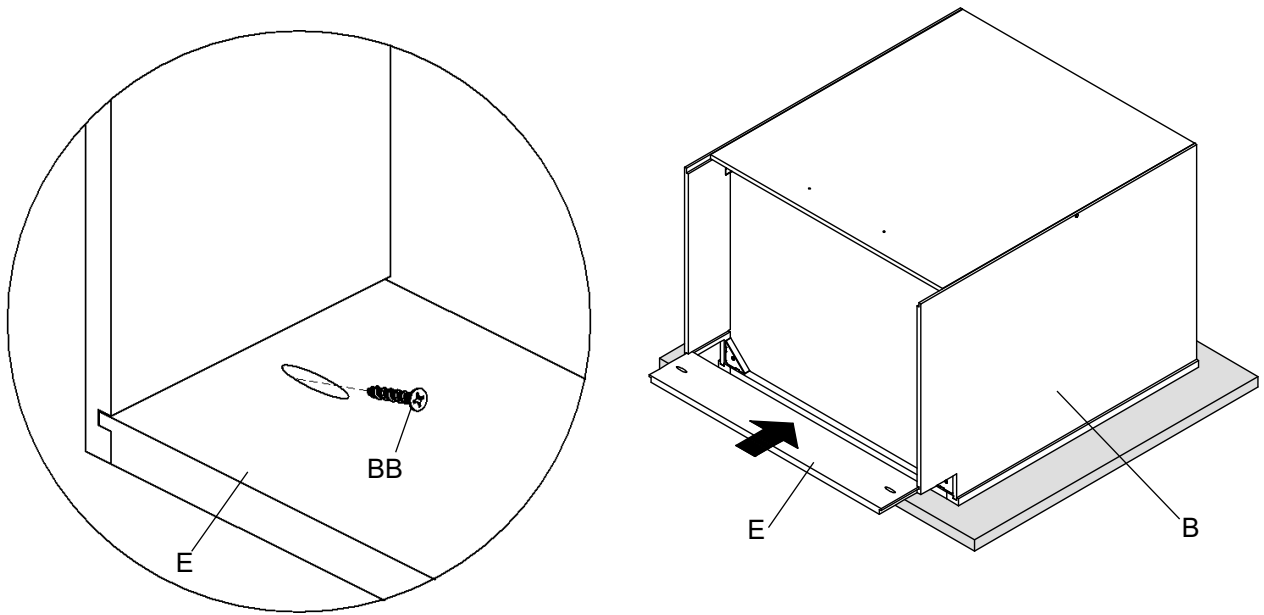


### 6 Attaching the toe kick

- Slide the toe kick (E) into the grooves of the side panels (B) so that it sits flush with the bottom of the cabinet.
- Insert two screws (BB) into the pocket holes to secure the toe kick (E) to the sides.

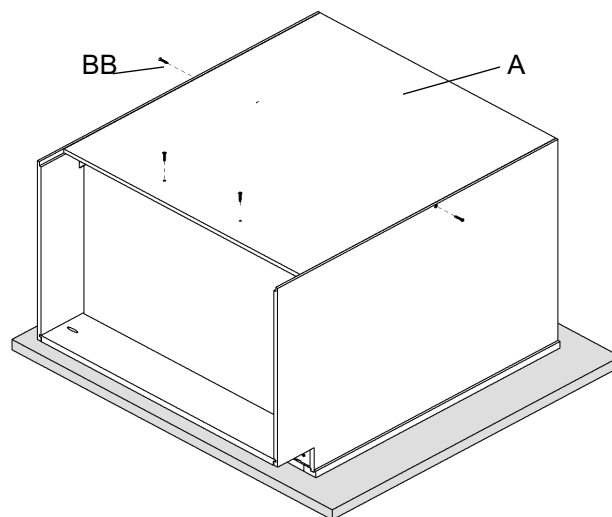


## Cabinet Assembly (continued)



### 7 Securing the back and side panels

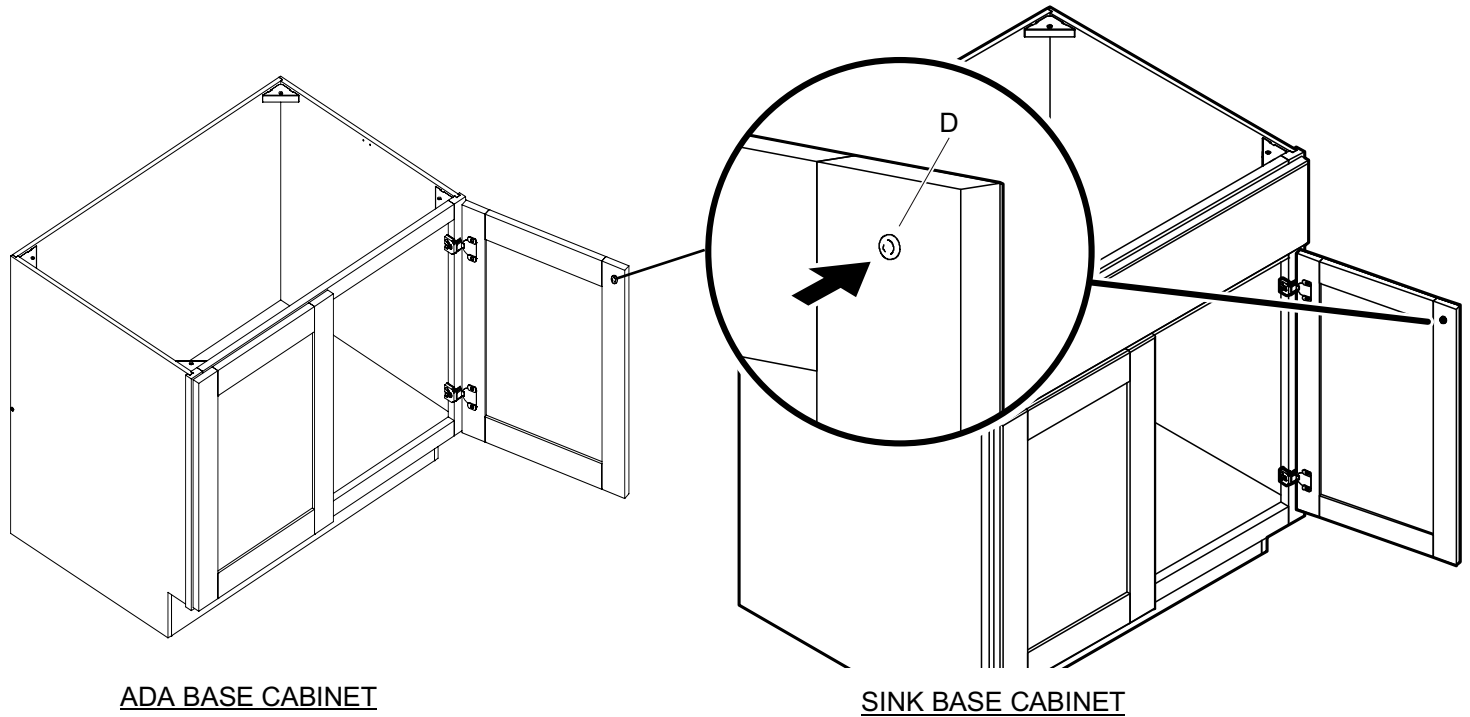
- Insert 4 screws (BB) into countersunk holes in the back (A) and side panels (B).



### 8 Attaching silicone pads

- Peel and stick two silicone pads (DD) onto the inside corners of each door.

## Cabinet Assembly (continued)



### 9 (OPTIONAL) Adjusting the door

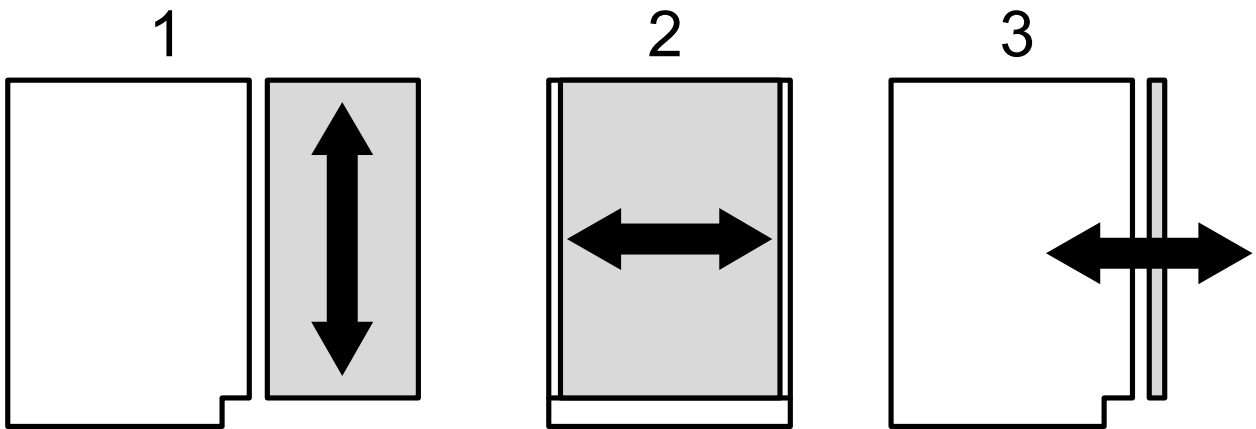
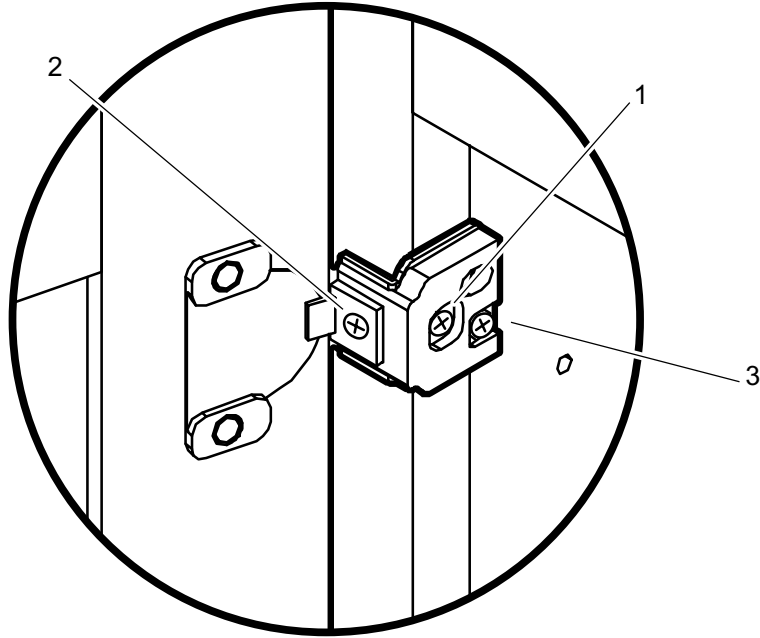
- Door hinges are 6-way adjustable.
- Up or down adjustment – Loosen screw 1, align the door, and tighten screw 1.



**NOTE:** It is critical that you do NOT overtighten screw 1.

- Left or right adjustment – Turn screw 2 clockwise or counterclockwise.
- In or out adjustment – Turn screw 3 clockwise or counterclockwise.

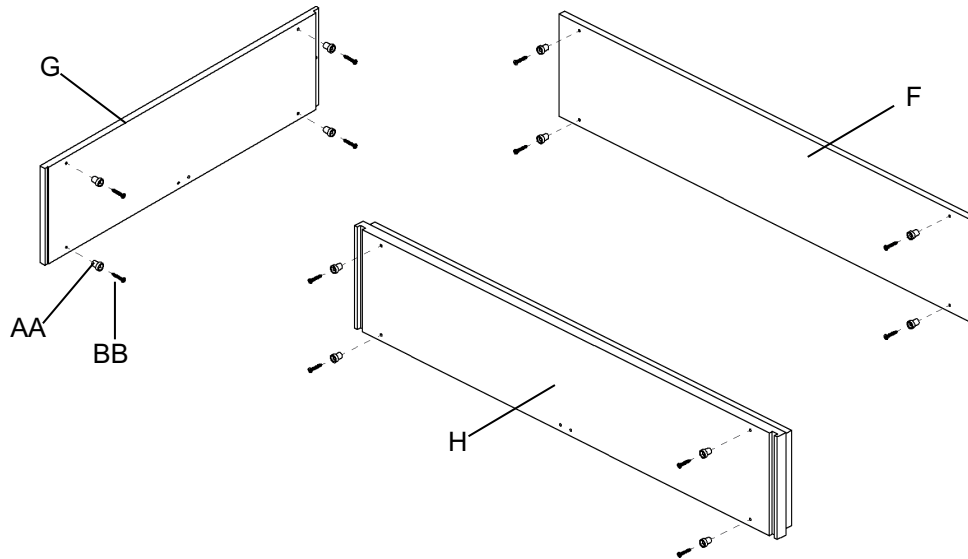
## Cabinet Assembly (continued)



# Cabinet Assembly for Top Part of ADA Base

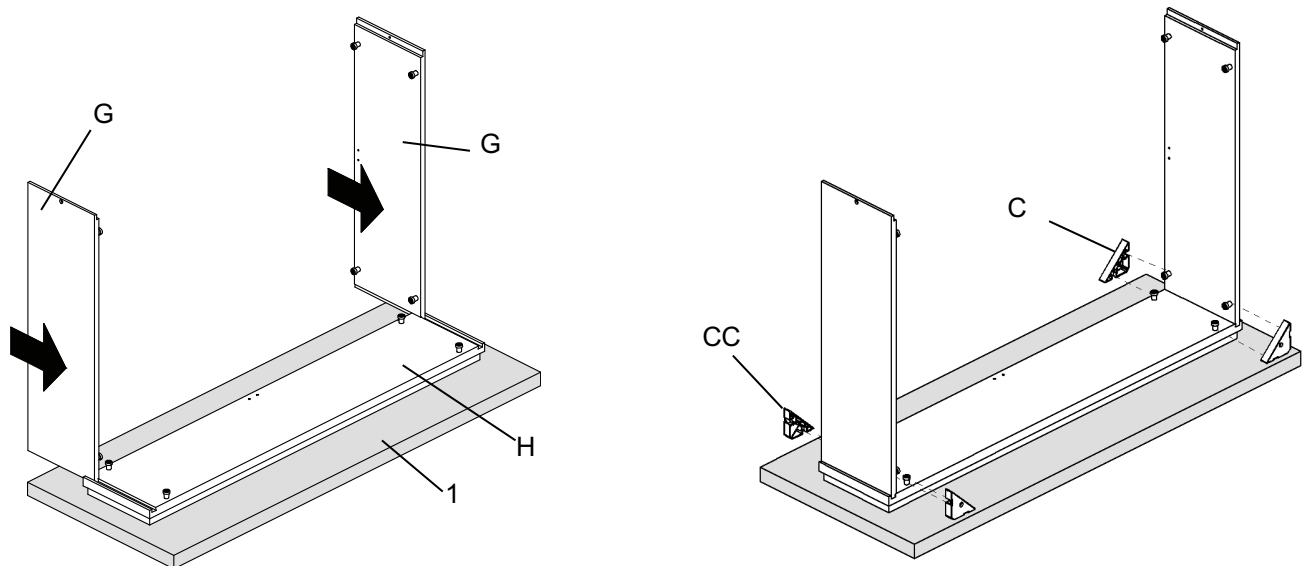
## 1 Attaching the posts to the panels

- Align 4 posts (AA) with pre-drilled holes on each of the panels and frame (F – G – H) and secure with 4 screws (BB) on each panel and frame (F – G – H).



## 2 Attaching the side panels into the face frame

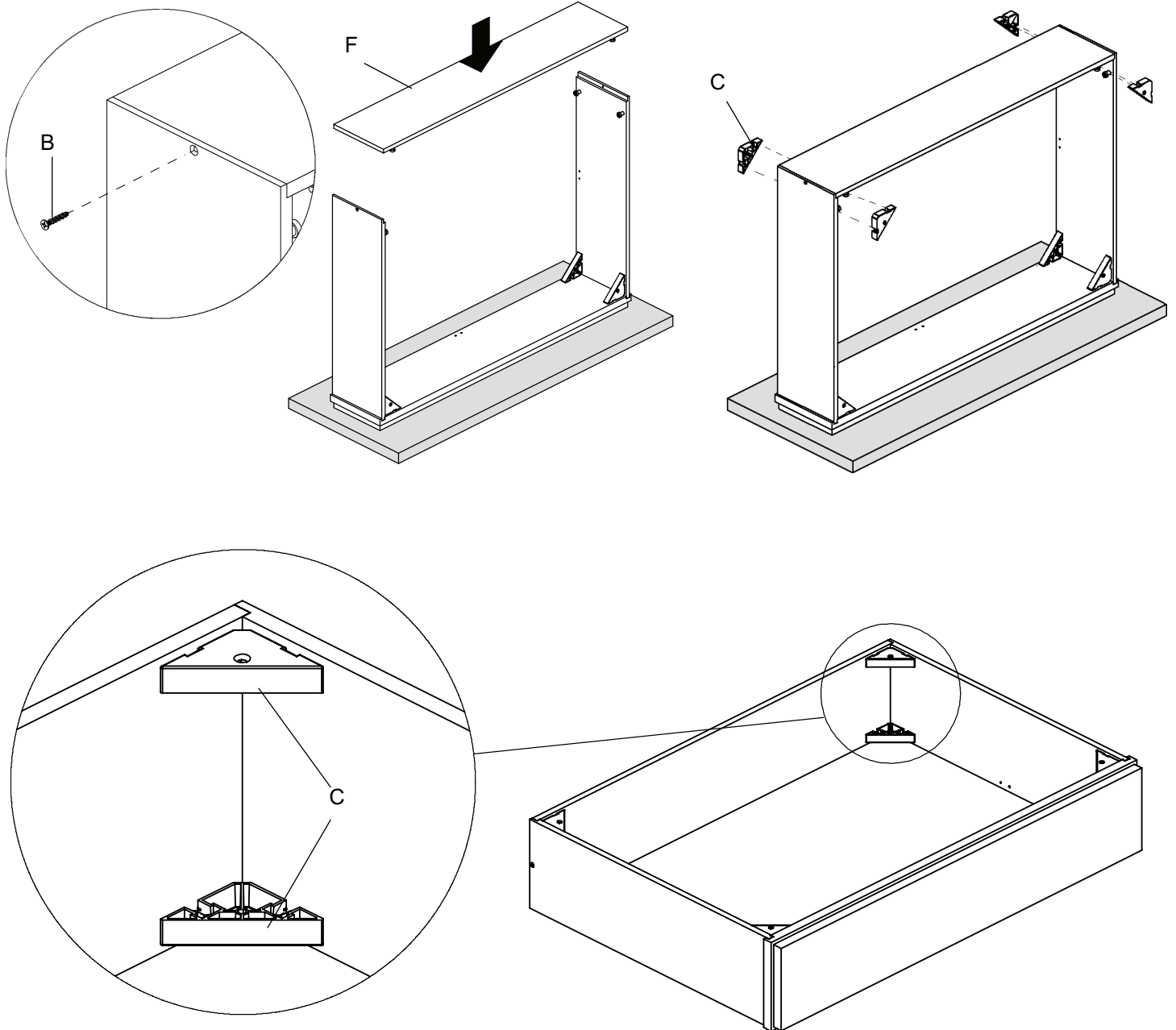
- Start by placing the front frame (H) flat on a smooth surface that will not scratch or damage the face of the cabinet, such as a towel or piece of cardboard (1) from the packaging. Slide the two side panels (G) into the mating grooves on the face frame (H).
- Snap four corner locks (CC) over the posts to secure the front frame (H) and side panels (G) as shown. At the top and bottom of the Top Part, the smooth face of each corner lock (CC) should be facing out.



# Cabinet Assembly for Top Part of ADA Base (continued)

## 3 Attaching the back panel

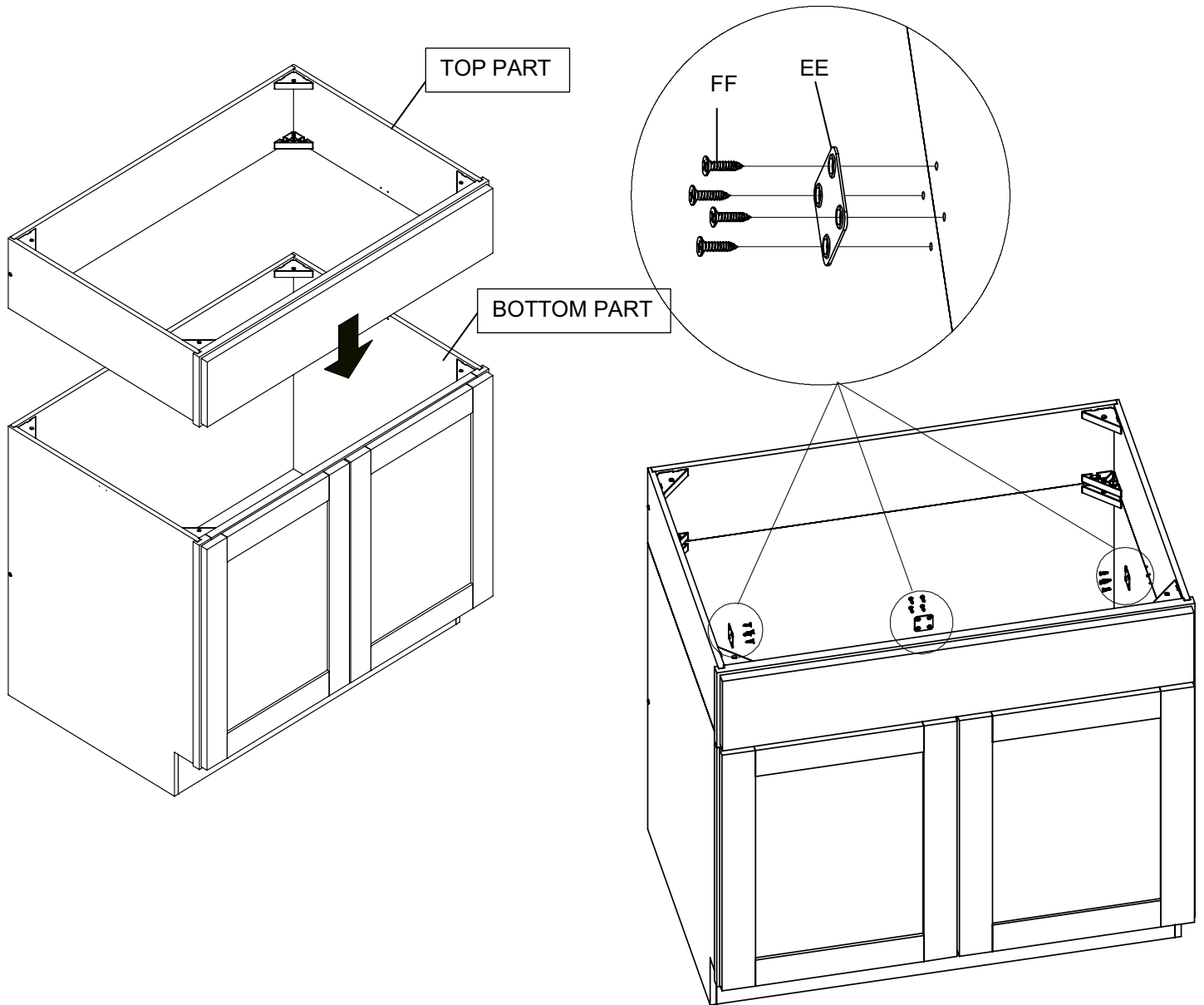
- Assemble the back panel (F) and the four remaining corner locks (CC)
- Insert two more screws (BB) into the countersunk holes on each side. Fully tighten all screws.



# Cabinet Assembly for Top Part of ADA Base (continued)

## 4 Installing the Top Part

- Assemble the Top with Bottom Part then insert screws (FF) through each hole in the metal plates (EE) into the pre-drill holes on the left/right panels and front/face frame.



## Care and Cleaning

---

- For normal spills, a damp cloth is sufficient. Dry the surface immediately.
- Doors can be cleaned with most general purpose household cleaners.
- Do not use caustic agents and/or abrasive scrubbers, or oven cleaners.
- Cabinets can be cleaned with a damp sponge or cloth using soapy water, or most general purpose household cleaners. Do not use any abrasive cleaner or scrubbers.
- Do not allow liquids to remain on the surfaces for long periods of time.

# HAMPTON BAY®

Questions, problems, missing parts? Before returning to the store,  
call Hampton Bay Customer Service  
8 a.m. – 7 p.m., EST, Monday – Friday, 9 a.m. – 6 p.m., EST, Saturday

**1-855-HD-HAMPTON**

**HAMPTONBAY.COM**

Retain this manual for future use.