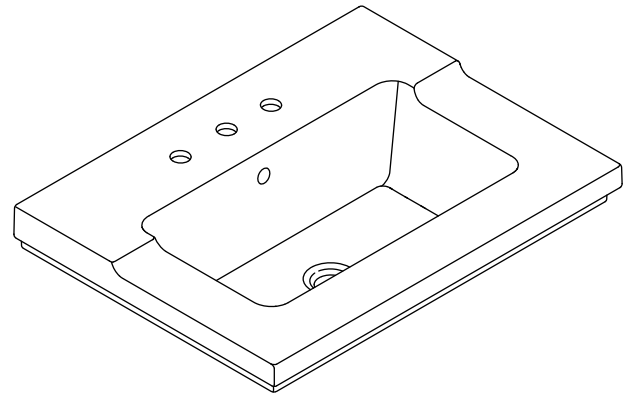


BATHROOM SINK K-2979

Features

- Fireclay
- Countertop installation
- With overflow
- 8" (203 mm) centers (-8), 4" (102 mm) centers (-4), or single-hole (-1)
- Also installs to K-2604 vanity or with any other 24" (610 mm) x 18" (457 mm) vanity
- 25-7/16" (646 mm) x 19-1/16" (484 mm) x 7-7/8" (200 mm)



Codes/Standards Applicable

Specified model meets or exceeds the following:

- ASME A112.19.2/CSA B45.1

Colors/Finishes

- 0: White
- Other: Refer to Price Book for additional colors/finishes

Accessories

- CP: Polished Chrome

Specified Model

Model	Description	Colors/Finishes	
K-2979-1	Bathroom sink – single-hole	<input type="checkbox"/> 0	<input type="checkbox"/> Other _____
K-2979-4	Bathroom sink – 4" (102 mm) centers	<input type="checkbox"/> 0	<input type="checkbox"/> Other _____
K-2979-8	Bathroom sink – 8" (203 mm) centers (shown)	<input type="checkbox"/> 0	<input type="checkbox"/> Other _____
Recommended Accessories			
K-8998	P-Trap		<input type="checkbox"/> CP

Product Specification

The countertop bathroom sink with overflow shall be made of fireclay. Bathroom sink shall be 25-7/16" (646 mm) in length, 19-1/16" (484 mm) in width and 7-7/8" (200 mm) in depth. Bathroom sink shall be for countertop installation. Bathroom sink shall have 8" (203 mm) centers (K-2979-8), 4" (102 mm) centers (K-2979-4) or single-hole (K-2979-1). Bathroom sink shall also install to K-2604 vanity or with any other 24" (610 mm) x 18" (457 mm) vanity. Bathroom sink shall be Kohler Model K-2979-_____-_____.

TRESHAM™

Technical Information

Fixture*:			
Basin area	19-1/16" (484 mm) x 10-1/2" (267 mm)		
Water depth	5-1/4" (133 mm)		
Drain hole	Ø 1-3/4" (44 mm)		
* Approximate measurements for comparison only.			
Holes	K-2979-8	K-2979-4	K-2979-1
Spout	Ø 1-3/8" (35 mm)	Ø 1-1/4" (32 mm)	Ø 1-3/8" (35 mm)
Faucet	Ø 1-3/8" (35 mm)	Ø 1-1/4" (32 mm)	
Included components:			
Cut-out template	1162722-7		

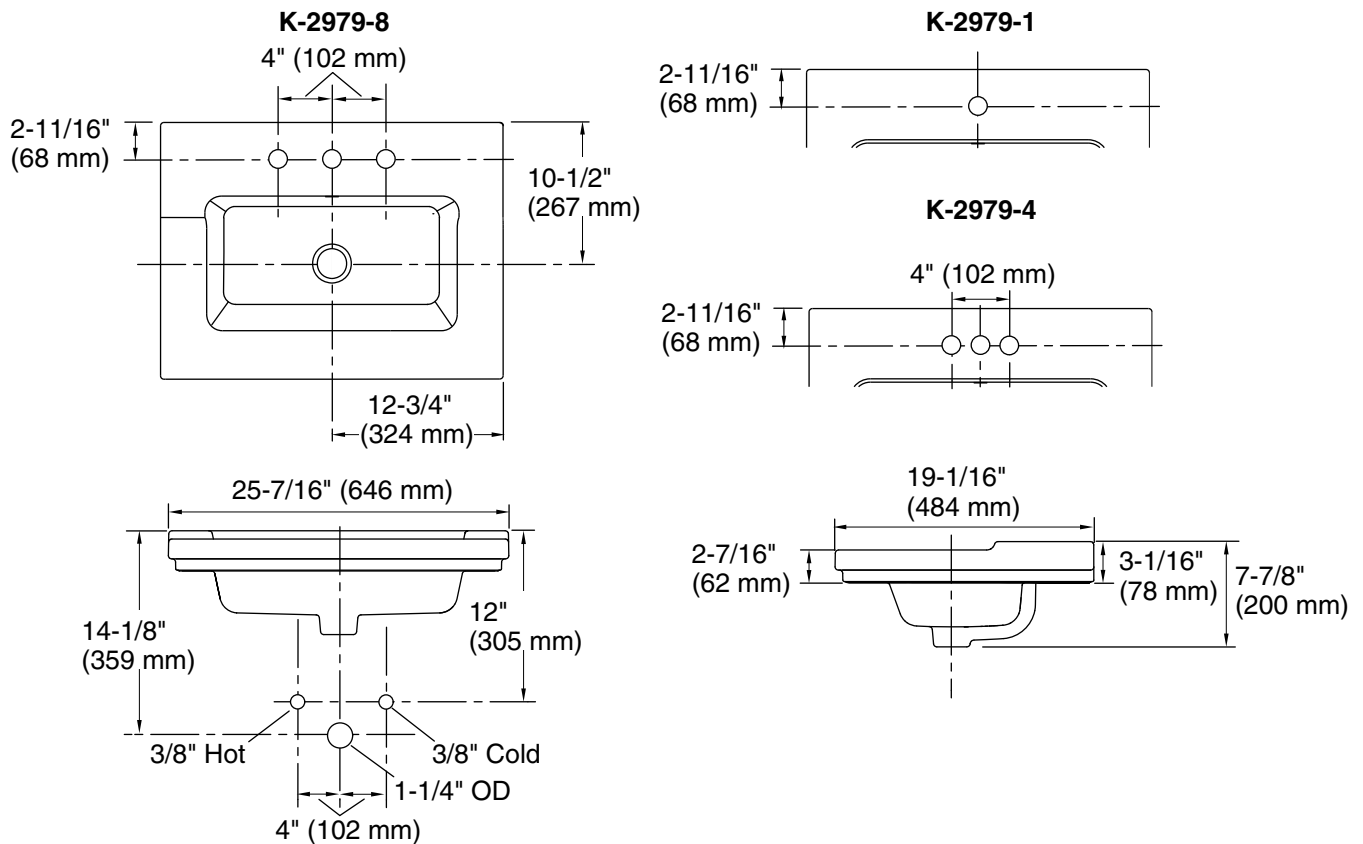
Installation Notes

Install this product according to the installation guide.

NOTICE: Countertop manufacturer or cutter **must** use the cut-out template provided with the product, or a current one provided by Kohler (call 1-800-4KOHLER). Kohler is not responsible for cutout errors when incorrect cut-out template is used.

When installing a pop-up drain to this bathroom sink, it may be necessary to bend the drain linkage to allow proper reach to the faucet lift rod.

NOTE: This bathroom sink is also designed for installation to the K-2604 vanity or with any other 24" (610 mm) x 18" (457 mm) vanity.



Product Diagram